



Precision Vacuum Planters

MONOSHOX[®]

Operator & Parts Supplement

Includes Instructions for:

- Safety
- Operation
- Maintenance

ROW UNIT

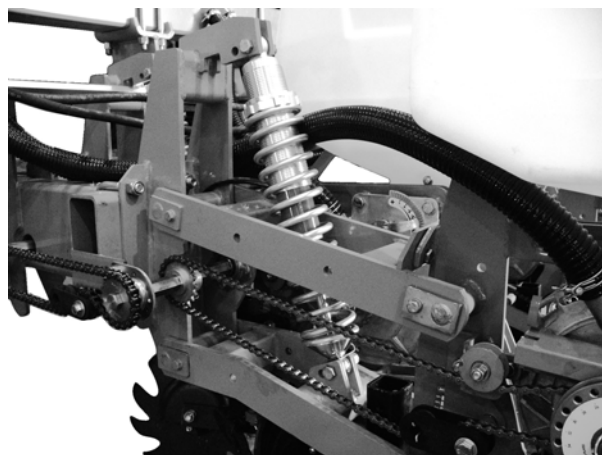
MONOSHOX® supplement

! WARNING! MONOSHOX® GAS SHOCK CONTENTS UNDER PRESSURE! USE EXTREME CAUTION! Do not attempt to pressurize or depressurize the shock unless you have the proper equipment and experience to do the job!

! FAILURE TO USE EXTREME CAUTION COULD RESULT IN SERIOUS INJURY OR DEATH!

The MONOSHOX® down-pressure system is a low maintenance, high performance system. Because of the dampening qualities of the shock, less down-pressure will be required than with other systems.

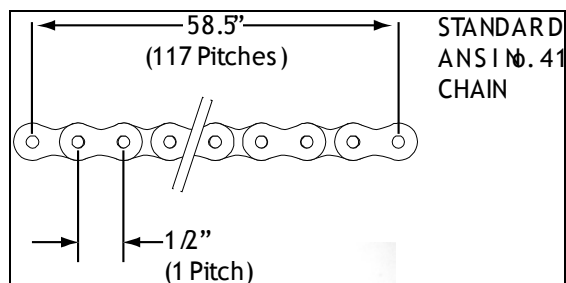
Do not replace the MONOSHOX® with other shocks or springs. Valving in the replacement shocks or springs may be different from the MONOSHOX®, causing the row units to act differently.



SPRING PRESSURE

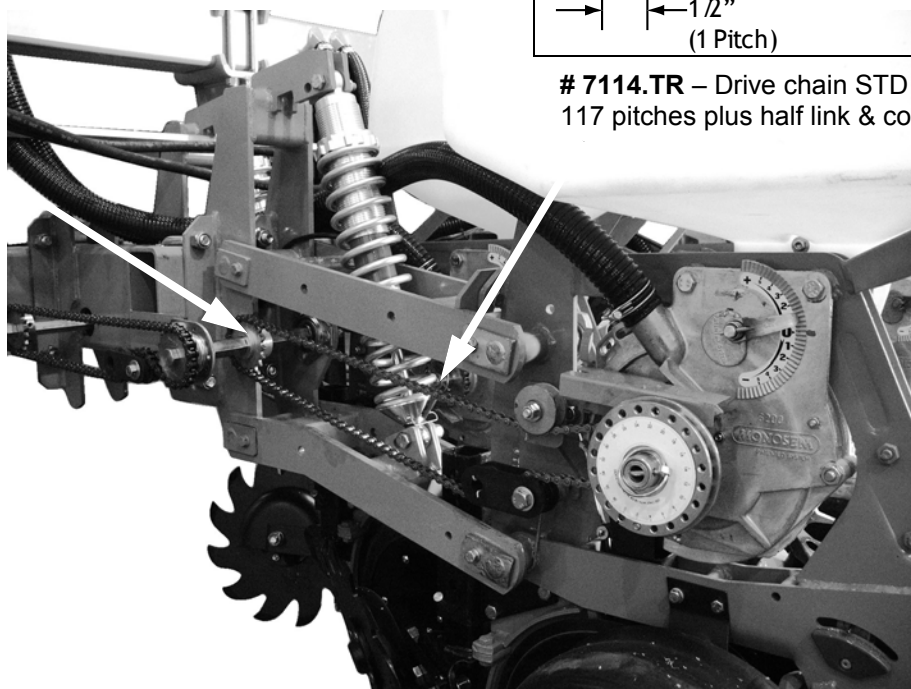
The spring pressure is indicated on the spring (14-110) which means the spring is 14" long and every inch of spring compression = 110lbs of down pressure. The springs are mounted at an angle so the actual down pressure would be approximately 55lbs at the disc openers.

Normal pre-load is when the spring just starts to apply pressure. (Approx. 2" of threads showing on top of shock) In the event that more down-pressure is needed use the supplied wrench to compress the spring. Every inch of pre-load on the spring is equal to 55 pounds at the v openers.



7114.TR – Drive chain STD ANSI No. 41 – 117 pitches plus half link & connector link

G41B18
Drive Sprocket
18 teeth

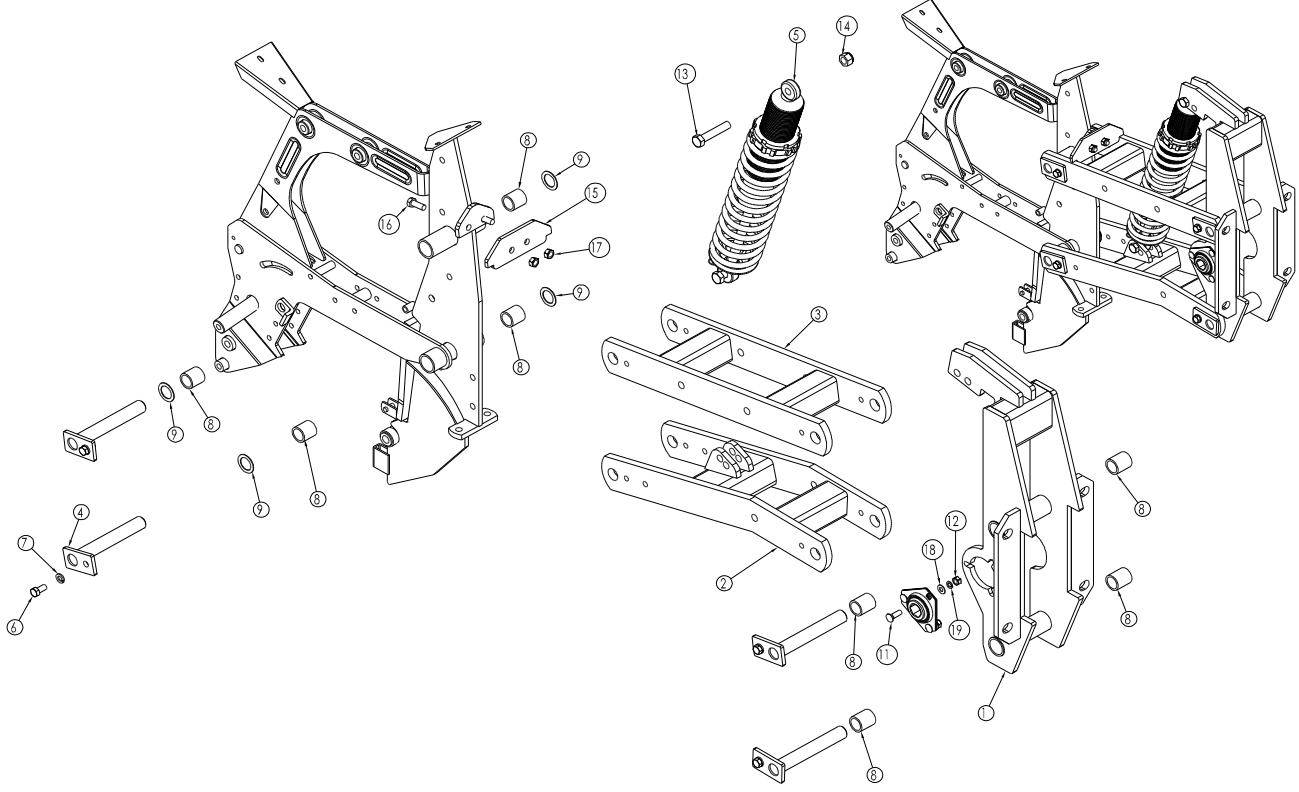


ROW UNIT

MONOSHOX®

Megalink and MONOSHOX® assembly

ITEM	PART #	DESCRIPTION	QTY
1	800404.5	FACE CLAMP, INSIDE EAR, OFFSET UNIT	1
2	800404.3	LOWER LINK	1
3	800404.2	UPPER LINK	1
4	800404.4	PIN	4
5		SHOCK ABSORBER WITH SPRING	1
6	H-3075	HEX BOLT, 3/8-16 x 3/4	4
7	W-2610	LOCK WASHER, 3/8	4
8	800404.6	BUSHING, OIL IMPREGNATED	8
9	10623061	FLAT WASHER, 26mm x 41mm x 1mm	8
10	4515	FLANGE BEARING ASSEMBLY	1
	4515.1	BEARING, 7/8 HEX	-
	4515.2	BEARING FLANGETTE	-
11	CB-1110	CARRIAGE BOLT, 5/16-18 x 1	3
12	N-1000	NUT, 5/16	3
13	H-4220	HEX BOLT, 1/2-13 x 2-1/2	2
14	N-4101	NUT, 1/2 NYLOCK	2
15	800432	UNIT STOP	1
16	HM-41025	BOLT, M10 x 25	2
17	NM-21011	NUT, M10	2
18	W-1210	FLAT WASHER, 5/16	3
19	W-1610	LOCK WASHER, 5/16	3



ROW UNIT

MONOSHOX®

Offset Megalink and MONOSHOX® assembly

ITEM	PART #	DESCRIPTION	QTY
1	800404.5	FACE CLAMP, INSIDE EAR, OFFSET UNIT	1
2	800404.3	LOWER LINK	1
3	800404.2	UPPER LINK	1
4	800404.4	PIN	4
5		SHOCK ABSORBER WITH SPRING	1
6	H-3075	HEX BOLT, 3/8-16 x 3/4	4
7	W-2610	LOCK WASHER, 3/8	4
8	800404.6	BUSHING, OIL IMPREGNATED	8
9	10623061	FLAT WASHER, 26mm x 41mm x 1mm	8
10	4515	FLANGE BEARING ASSEMBLY	1
	4515.1	BEARING, 7/8 HEX	-
	4515.2	BEARING FLANGETTE	-
11	CB-1110	CARRIAGE BOLT, 5/16-18 x 1	3
12	N-1000	NUT, 5/16	3
13	H-4220	HEX BOLT, 1/2-13 x 2-1/2	2
14	N-4101	NUT, 1/2 NYLOCK	2
15	800432	UNIT STOP	1
16	HM-41025	BOLT, M10 x 25	2
17	NM-21011	NUT, M10	2
18	W-1210	FLAT WASHER, 5/16	3

