

This is a downloadable version of the manual. A partial download may not contain all pertinent information. Make Sure to read Chapter 1, Safety!
Due to ongoing upgrades specifications may change without notice, contact a Monosem Rep for current information.

TABLE OF CONTENTS

1. SAFETY

2. PREPARATION

3. FRAME

4. TRANSMISSION

5. DRIVE

6. ROW UNIT

7. OPTIONAL EQUIPMENT

This is a downloadable version of the manual. A partial download may not contain all pertinent information. Make Sure to read Chapter 1, Safety!
Due to ongoing upgrades specifications may change without notice, contact a Monosem Rep for current information.

DRIVE

5" x 5" Planter

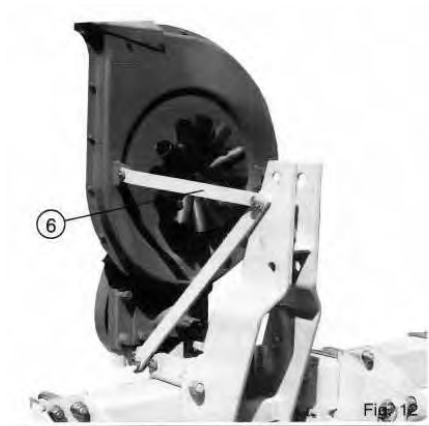
STANDARD TURBOFAN

540, 450 & 1000 RPM with PTO Drive

Your Monosem planter will be equipped with either a 540, 450 or 1000 rpm turbofan. A special pump pulley is available as optional equipment for the 450 and 540 turbofans. It is recommended to use a 450 rpm turbofan when using a hydraulic drive.



The vacuum hose is attached to the outlets on the back of the turbofan and deliver suction to the metering box of each unit. An arrow decal sticker on the back of the turbofan indicates that the turbofan blade runs in a counter clockwise direction. A protection shield against the rain is located at the top of the turbofan, and when in a raised position, indicates that the turbofan is operating.



Note: Before planting, make sure that the support brackets, **(6)** for single toolbar, and **(7)** for double toolbar are tight to eliminate any vibrations of the turbofan. A vacuum gauge may also be mounted to the turbofan.



PTO (Power Take Off)

The PTO connects the tractor to the turbofan.



Make sure you connect the proper end of the PTO to the tractor. An arrow on the PTO indicates the end that is attached to the tractor.

The following warning is placed on your PTO shaft for your safety.



DANGER Rotating drive line contact can cause death – keep away. Do not operate without all driveline, tractor and equipment shields in place, without drivelines securely attached at both ends, and without driveline shields that turn freely on driveline.

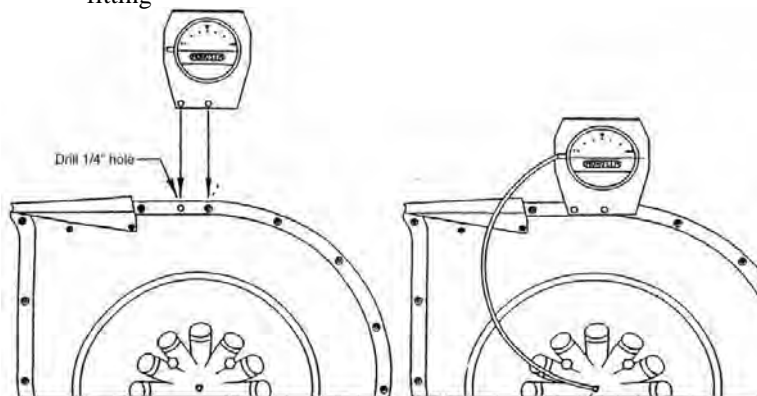


HOW TO MOUNT THE VACUUM GAUGE

To mount the vacuum gauge, follow the following steps

1. Remove the second top bolt (10mm) from the turbofan.
2. Position the mounting bracket re-using the second hole, and drilling a new 1/4" hole to accommodate the mounting bracket. Attach the vacuum gauge using hardware provided (1/4" x 3/4" bolts, 1/4" nylock nuts).
3. Drill an 11/32" hole in the center of manifold. Tap the hole using a 1/8" NPT male tap.
4. Screw one of the air fittings into the center of the manifold, the other air fitting into the vacuum gauge.

If not already attached, push the tubing into each fitting



Drill 11/32" hole in center of manifold. Tap with 1/8" NPT. Install air fittings and tubing.

DRIVE

**HIGH Output Turbofan
500 & 1000 RPM**

The high output turbofan provides more air than the standard turbofan. The high output turbofan is to be used when the planter is 8 rows or more and when planting heavy seed such as beans.

When using a hydraulic drive, a 500-rpm high output turbofan should be used instead of a 1000-rpm high output turbofan.

An extended shaft (#4405.A2) is used for planters with 7" X 7" mounted toolbar frames and PTO drive, to provide more room for the PTO.

The vacuum hose is attached to the outlets on the front of the turbofan and deliver suction to the metering box of each unit. An arrow decal sticker on the turbofan indicates the direction that the turbofan blade runs, which is counter clockwise. A shield to protect the turbofan from the rain is located at the top of the turbofan, and when in a raised position, indicates that the turbofan is operating.

Note: Before planting, make sure that the support straps (1) are tight to eliminate any vibrations of the turbofan.

You can mount a vacuum gauge to the turbofan.

**EXTRA HIGH Output Turbofan
540 & 1000 RPM**

The extra high output turbofan was designed to provide more volume of air than the standard or high output turbofan. The extra high output turbofan is most often used with planters of 16 rows or more.

The extra high output turbofan can be used with either a PTO or a hydraulic motor. When using a PTO, this turbofan requires a PTO with an overrunning clutch. When using a hydraulic motor, this turbofan requires a larger motor.

The vacuum hose is attached to the outlets on the front of the turbofan and deliver suction to the metering box of each unit. An arrow decal sticker on the turbofan indicates the direction that the turbofan blade runs, which is counter clockwise. A shield to protect the turbofan from the rain is located at the top of the turbofan, and when in a raised position, indicates that the turbofan is operating.

You can mount a vacuum gauge to the turbofan.

PTO Drive



(Power Take Off)

The PTO connects the tractor to the turbofan.

Make sure you connect the proper end of the PTO to the tractor. An arrow on the PTO indicates the end that is attached to the tractor.

The following warning is placed on your PTO shaft for your safety. (part # ST057)



DANGER

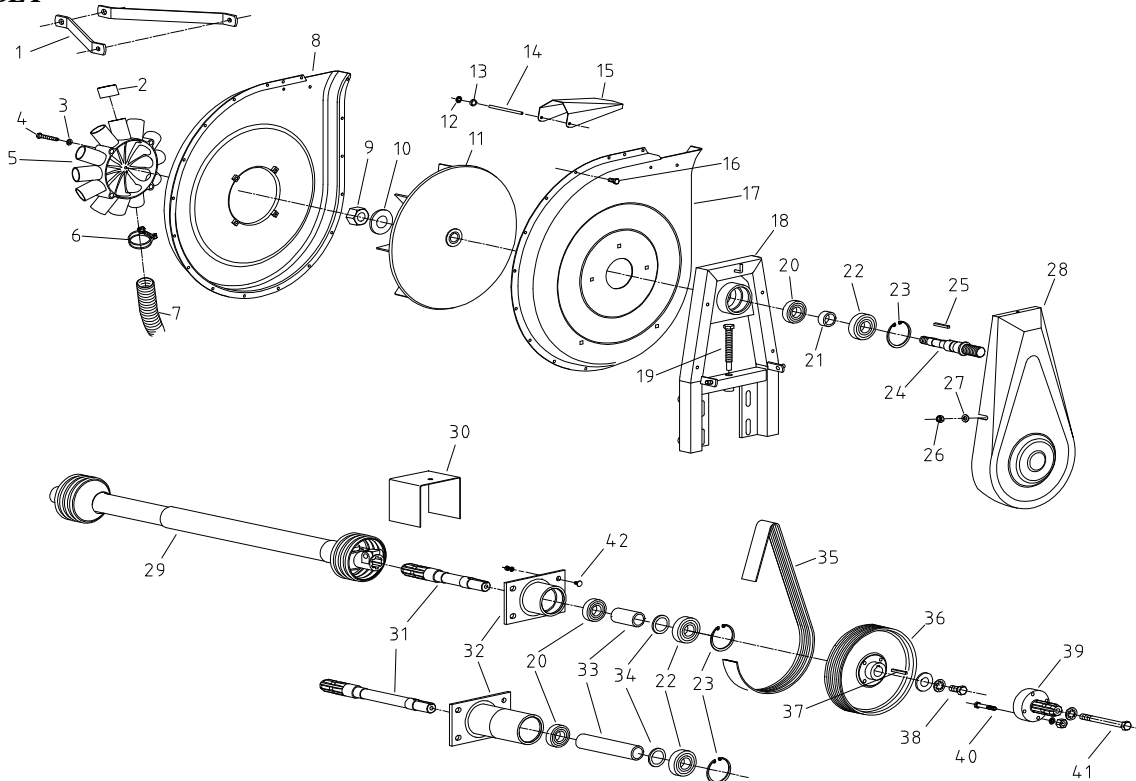
Rotating drive line contact can cause death – keep away. Do not operate without all driveline, tractor and equipment shields in place, without drivelines securely attached at both ends, and without driveline shields that turn freely on driveline.



DRIVE

Standard Turbofan 540, 450 and 1000 rpm with PTO drive

ASSEMBLY



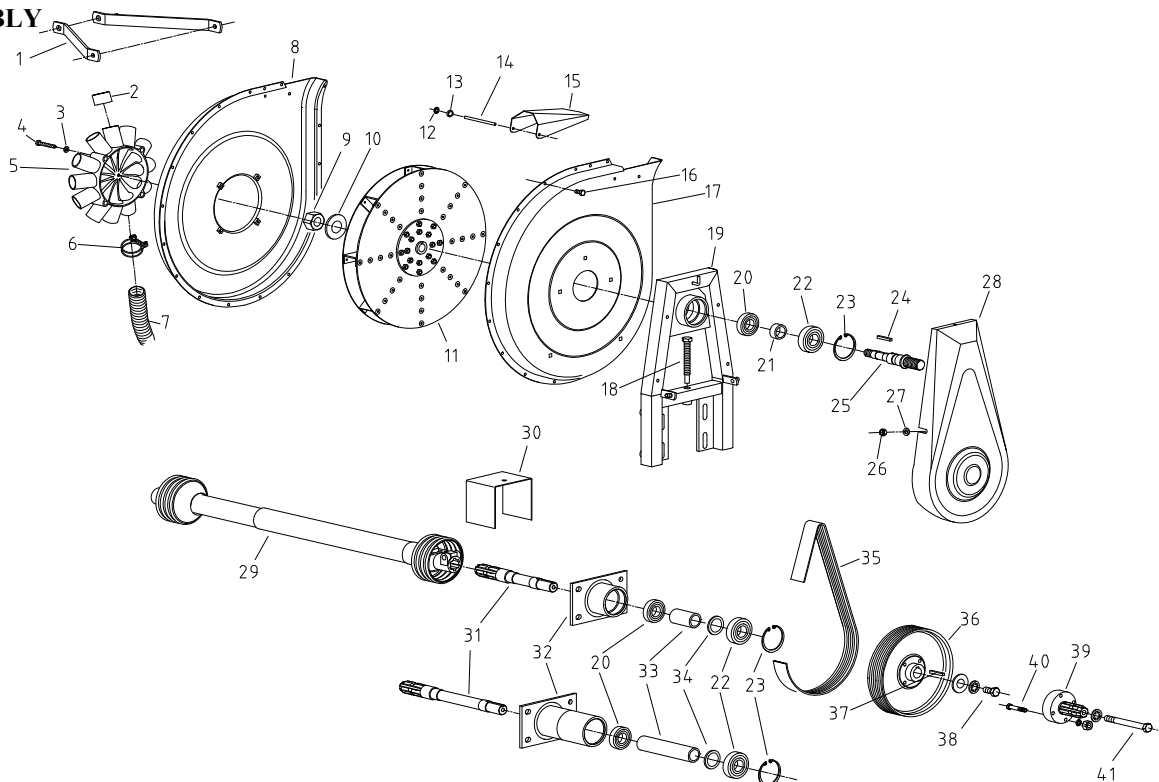
ITEM	PART No.	DESCRIPTION
1	4532	Support strap - 565mm long (22 1/4")
	4532.1	Support strap - 340mm long (13 3/8")
	4532.2	Support strap - 480mm long (18 7/8")
2	4451	Plastic cap
3	10620064	Washer 8.5x16x2mm
4	10511062	Bolt, 8x55mm (to secure manifold)
5	4450	12-Hole manifold
6	4453	Hose clamp
7	4454	Vacuum hose 40mm (specify length req.d)
8	4402.B	Fan housing manifold side
9	NM-72005	Nylon lock nut 20mm (to secure fan blade)
10	10623042	Washer 22.5x48x3mm (on upper shaft)
11	4403.B	Fan blade (plastic, 16 1/8" dia.)
12	6090	Snap ring 6mm
13	6089	Rubber ring
14	4455	Pin for outlet shield
15	4429.A	Outlet shield
16	10500091	Hex bolt 6x12mm
17	4401.B	Fan housing (support frame side)
18	4400.1	Support frame
19	4440	Special bolt tension adjustment
20	4407	Bearing 62mm (62062RS)
21	4410.A	Spacer upper shaft
22	4408	Bearing 72mm (63062RS)
23	4409	Snap ring internal 72mm
24	4452	Upper shaft, 540 & 1000 rpm (1 1/8" dia. pulley)
	4452.1	Upper shaft, 450 rpm (7/8" dia. pulley)
25	4439.A	Key upper shaft (6x6x45mm)
26	NM-21015	Lock nut 10mm
27	10620089	Washer 10.5x20x2mm
28	4414.2	Cover shield for belt

ITEM	PART No.	DESCRIPTION
28	4414.2	Cover shield (with optional pump pulley)
29	4428.B	PTO drive shaft 540rpm 24"
	4428.B21	PTO drive shaft 1000rpm 24"
	4431.B	PTO drive shaft 540rpm 36"
	4431.B21	PTO drive shaft 1000rpm 36"
	4432.B	PTO drive shaft 540rpm 54" - Pull-Type only
	4432.B21	PTO drive shaft 1000rpm 54" - Pull-Type only
	900058	PTO drive shaft pull type with 20 splines 54" - Pull-Type only
30	4434.4	Safety shield
31	4405.A	Lower shaft (1 3/8" 6 spline adapter)
	4405.A2	Lower shaft extended 7X7 PTO
32	4404	Shaft housing (lower drive shaft)
	4404.3	Shaft housing extended 7X7 PTO
33	4411	Spacer lower shaft
	4411.2	Spacer extended 7X7 PTO
34	10624018	Washer 31x41x3mm
35	4413	Belt, 450 & 540 rpm (PJ1168/460J or 460J19)
	4413.1	Belt 1000 rpm (PJ955/376J)
36	4412.2	Pulley, 450 & 540rpm (9 13/16" dia.)
	4412.3	Pulley, 1000 rpm (5 5/16" dia.)
37	4437	Key lower shaft (8x7x40mm)
38	HM-61230	Bolt, 12x30mm (to secure pulley)
	10621061	Washer 13x40x4mm (to secure pulley)
39	4426	Pump pulley (6 spline stub shaft)
40	HM-2850	Bolt, 8x50mm
	10629009	Lock washer 8x14mm
41	HM-65110	Bolt, 12x110mm
	10101012	Lock washer 12x20mm
42	CB-3322	Carriage bolt 7/16-14 x 2"
	W-3610	Lock washer 7/16"
5. 3	N-3000	Hex nut 7/16-14

DRIVE

**High Output Turbofan 500 1000 rpm
With PTO drive**

ASSEMBLY



ITEM PART No. DESCRIPTION

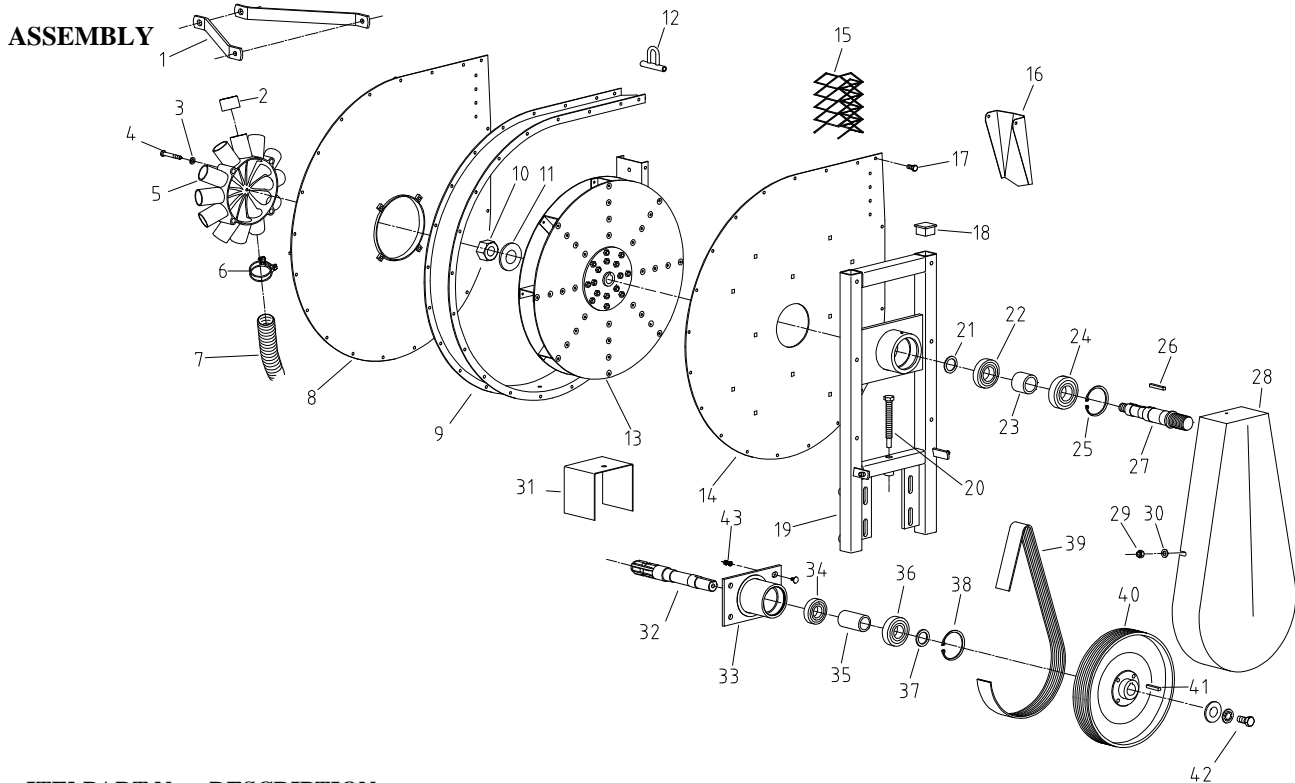
1	4532	Support strap – 565mm long (22 1/4")
	4532.1	Support strap – 340mm long (13 3/8")
	4532.2	Support strap – 480mm long (18 7/8")
2	4451	Plastic cap
3	10620064	Washer 8.5x16x2mm
4	10511062	Bolt, M8x55 (to secure manifold)
5	4450	12-hole manifold
6	4453	Hose clamp
7	4454	Vacuum hose 40mm ID (specify length)
8	4402.C	Fan Housing, (manifold Side)
9	NM-72005	Lock nut, M20 (to secure fan blade)
10	10623042	Washer, 22.5x48x3mm
11	4403.D	Fan Blade (aluminum, 17 3/4" Dia.)
12	6090	Snap ring (6mm)
13	6089	Rubber ring
14	4455	Pin for outlet shield
15	4429.A	Outlet shield
16	10500091	Hex bolt M6x12
17	4401.B	Fan Housing, (support frame side)
18	4440	Belt tension adjustment bolt
19	4400.1A	Support Frame
20	4407	Bearing 62mm (62062RS)
21	4410.A	Spacer bushing (upper shaft)
22	4408	Bearing 72mm (63062RS)
23	4409	Snap ring, internal (72mm)
24	4439.A	Key stock for upper shaft (6x6x45mm)
25	4452.B	Upper shaft (1 1/8" Dia. Pulley)
26	NM-21015	Lock nut M10
27	10620089	Washer 10.5x20x2mm

ITEM PART No. DESCRIPTION

28	4414.1A	Cover shield for belt
29	4428.B	PTO drive shaft 540 rpm, 24" long
	4431.B	PTO drive shaft 540 rpm, 36" long
	900057	PTO drive shaft HD 1000 rpm 20 spline
30	4434.3	Safety shield
31	4405.A	Lower shaft (1 3/8" 6-spline)
	4405.A2	Extended shaft 7X7 toolbar w/PTO
32	4404.A	Shaft Housing (lower drive shaft)
	4404.3	Extended housing 7X7 toolbar w/PTO
33	4411	Spacer bushing (lower shaft)
	4411.2	Long bushing 7X7 toolbar w/PTO
34	10624018	Washer, 31x41x3mm
35	4413.B	Belt, 500 rpm (1244J25)
	4413.1B	Belt, 1000 rpm (991J25)
36	4412.B	Pulley, 500 rpm (11 3/8" Dia.)
	4412.1B	Pulley, 1000 rpm (5 7/8" Dia.)
37	4437	Key stock for lower shaft (8x7x40mm)
38	HM-61230	Bolt, M12x30 (to secure pulley)
	10621061	Washer, 13x40x4mm (to secure pulley)
	10101012	External tooth lock washer (12x20mm)
39	4426	Pump pulley (6 spline stub shaft)
40	HM-2850	Bolt M8x50
	10629009	External tooth lock washer (8x14mm)
41	HM-65110	Bolt, M12x110
	10101012	External tooth lock washer (12x20mm)

DRIVE

**Extra High Output Turbofan 540 & 1000 RPM
With PTO Drive**



ITEMPART No. DESCRIPTION

1	4532.2	Turbofan support strap - 480mm long (18 7/8")
2	4451	Plastic cap, 40mm
3	10620064	Washer 8.5x16x2mm
4	10511062	Hex bolt M8x55
5	4450	12 hole manifold
6	4453	Hose clamp
7	4454	Vacuum hose (40mm ID, specify length)
8	4242	Fan housing (manifold side)
9	4243	Fan housing sidewall
10	NM-72005	Nylon locknut, 20mm (to secure fan blade)
11	10623042	Washer 22.5x48x3mm
12	4253	Support eye
13	4244.co	Fan blade, aluminium 19 5/8" dia.
14	4241	Fan housing (support frame side)
15	4254	Screen
16	4429.a	Outlet shield
17	10500091	Hex bolt M6x12
18	9525	End cap
19	4240	Support frame
20	4440	Bolt to adjust belt tension
21	10624016	Washer, 31x41x2mm (on upper shaft)
22	4251	Bearing upper shaft (62072RS1)
23	4247	Spacer bushing (upper shaft)
24	4252	Bearing upper shaft (63072RS1)

ITEMPART No. DESCRIPTION

25	4246	Snapping, internal (80mm)
26	4439.A	Key stock for upper shaft (6x6x45mm)
27	4248.1	Upper shaft, 25 grooves (35mm O.D.)
28	4250	Cover shield for belt
29	NM-21015	Lock nut M10
30	1062089	Washer 10.5x20x2mm
31	4434.3	Safety shield
32	4405.a	Lower shaft (w/1 3/8" 6 spline adapter)
33	4404.a	Shaft housing (lower drive shaft)
34	4407	Bearing 62mm (62062RS)
35	4411	Spacer bushing (lower shaft)
36	4408	Bearing 72mm (63062RS)
37	10624018	Washer, 31x41x3mm (on lower shaft)
38	4409	Snapping, internal (72mm)
39	4249.2	Belt, 540 rpm 25 grooves (1335J25)
	4249.3	Belt, 1000 rpm 25 grooves
40	4412.B	Lower pulley, 540 rpm 25 grooves (290mm)
	4412.1B	Lower pulley, 1000 rpm 25 grooves (150mm)
41	4437	Key stock for lower shaft (8x7x40mm)
42	HM-61230	Hex bolt M12x30
	10621061	Washer 13x40x4mm
	10101012	Lock washer 12x20mm

DRIVE

Hydraulic Drive

Optional for 450 Standard, 500 High Output, or 540 Extra High Output Turbofans

The hydraulic drive is optional for the 450 Standard turbofan, the 500 High Output turbofan and the 540 Extra High Output turbofan. The hydraulic drive attaches to the turbofan to produce and maintain the vacuum level.

The desired vacuum is dependent on the correct amount of oil flow to the hydraulic motor.

Starving the motor of oil will cause the vacuum to drop.

An excessive amount of oil flowing into the motor can result in damage to the motor or the fan blade.

When attempting to shut off the turbofan, the blade must be allowed to "wind down" slowly. If the flow of oil stops abruptly, the bypass block on the motor will recirculate the oil already in the motor helping to prevent damage to the blade and motor. Still, you should not allow the flow of oil to stop suddenly. This is accomplished with the tractor hydraulic controls. Refer to your tractor operator manual for further information.

You can control oil flow to the motor in one of two ways:

1. With a flow control valve that is optional for the hydraulic motor
2. With the tractor hydraulic system controls.

If your tractor has flow control capabilities, then it is recommended that you use this method and remove the in-line flow control valve. Failure to do this will cause the hydraulic oil to overheat, damaging the motor.

Oil requirements are as follows:

Regular & high output turbofans: 6-7 gal/ minute

Extra high output turbofans: 7-8 gal/minute

NOTE: Check the labeling on your turbofan to determine if you have a standard, high output or extra high output turbofan. As a general rule, planters with 8-15 rows have a high output turbofan, 16-rows and larger use an extra high output turbofan.



HYDRAULIC SYSTEM SAFETY

DANGER. Before applying pressure to the hydraulic system, check that all connections are tight and that the hoses and fittings have not been damaged. Hydraulic fluid escaping under pressure can penetrate the skin causing serious injury. If injured by escaping hydraulic fluid see a doctor at once. Gangrene can result.



- **Relieve pressure on system before repairing, adjusting or disconnecting.**

DRIVE

Vacuum Gauge - Standard for Hydraulic Drive, Optional for PTO Drive

VACUUM GAUGE SETTINGS

The hydraulic drive is equipped with a vacuum gauge that allows you to read the vacuum level of the turbofan. The vacuum level should be set depending on the weight and size of the seed to be planted. Vacuum gauge settings for the hydraulic drive are shown below in inches of water column. This is a guideline for small, medium and large seed.

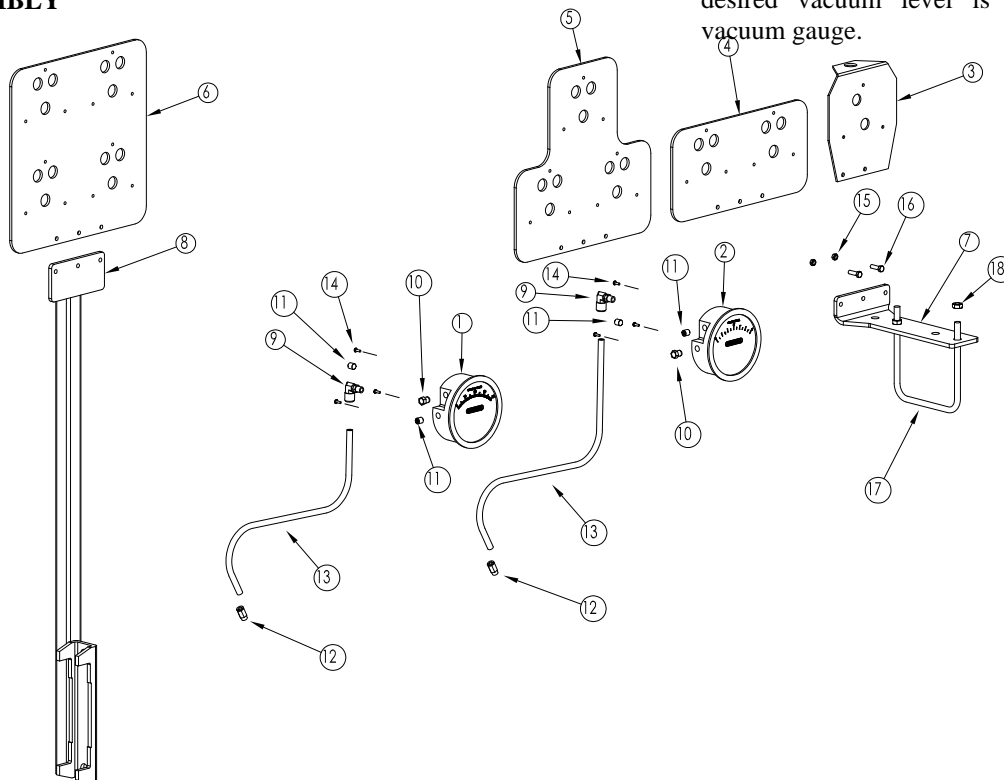
Small (Sugarbeet/Pickle)	15"-20"
Medium (Corn)	20"-25"
Large (Beans/Peanut)	25"-30"

To set the vacuum level:

It is not necessary to have to reset vacuum levels daily. Vacuum levels will be slightly lower during tractor and pump start-up.

1. Use the recommended vacuum settings above, or consult your dealer.
2. Push tractor lever/switch to start oil flow to hydraulically driven turbofan and let oil warm up.
3. With some seed in the hoppers, turn drive wheels by hand or lower planter to engage drive wheels and drive forward a short distance to fill cells on seed discs with seed. This will result in a more accurate setting of the vacuum.
4. Re-adjust the oil flow, if necessary, until the desired vacuum level is obtained on the vacuum gauge.

ASSEMBLY



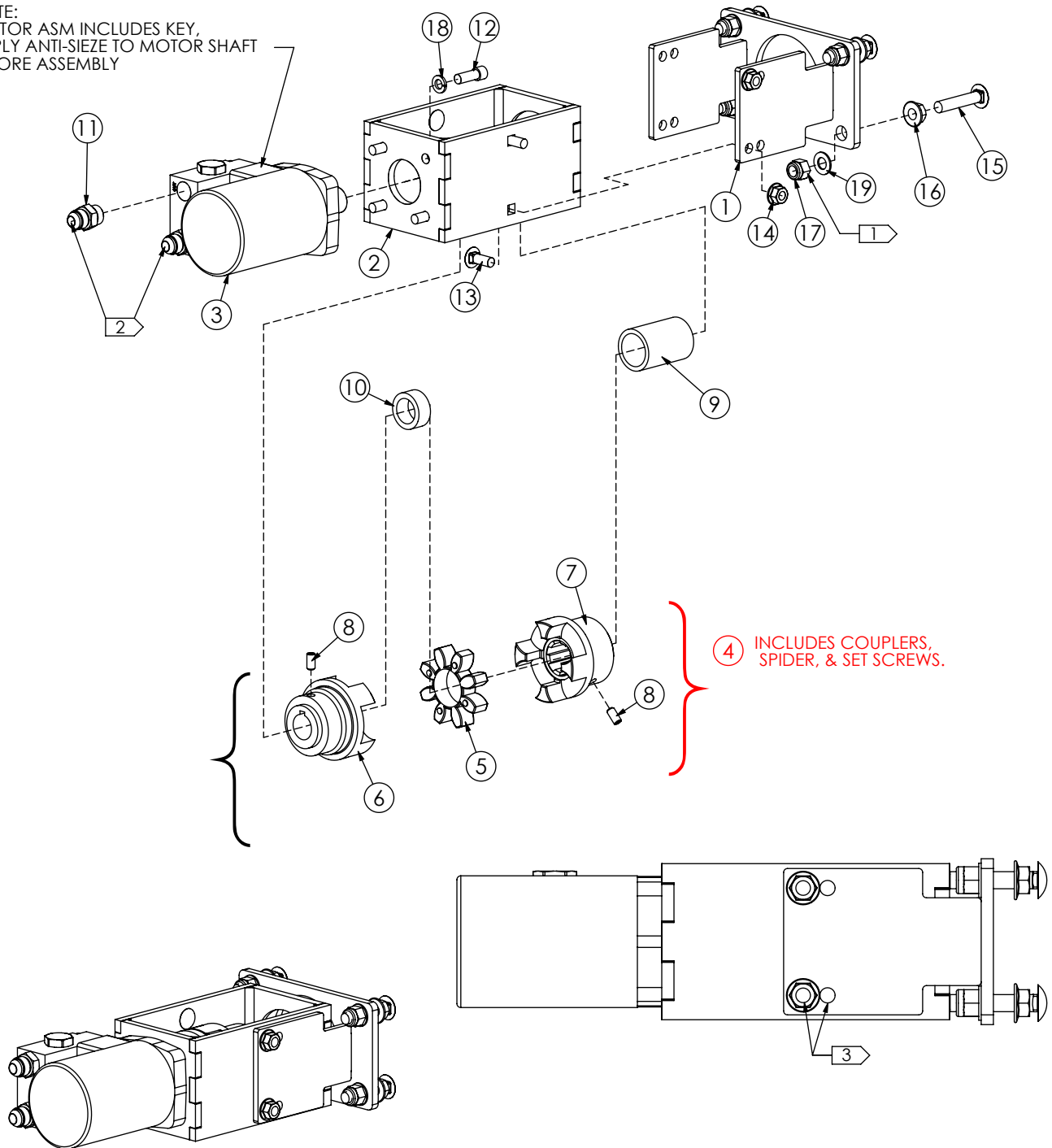
ITEM No.	PART No.	DESCRIPTION
1	D2040	Vacuum gauge
2	900389	Pressure gauge
3	M30050070	Mounting plate single
4	800187	Mounting plate double
5	800148	Mounting plate triple
6	800149	Mounting plate quadruple
7	800311	Panel mount mounted pltr.
8	80036	Panel mount pull type pltr.
9	J69PPS-4-2	Swivel elbow fitting
10	D200108-00	Filter vent plug

ITEM No.	PART No.	DESCRIPTION
11	A-330	Pipe plug 1/8" NPT
12	J68PP-4-2	Swivel fitting
13	JPT04	Tubing 1/4"
14	F27295	Screw 6-32 x 3/8"
15	NM-0605	Nylon lock nut, 6mm
16	HM-0620	Bolt 6 x 20 mm
17	4647.SS	U-bolt 5"x5"x3/8"-16
	4647.S	U-bolt 7"x7"x3/8"-16
	900240	U-bolt 5"x7"x3/8"-16
18	N-2100	Nylon lock nut 3/8 -16

MOTOR BRACKET ASM, STD TURBO

This is a non-patented version of the original product. The original download may contain all pertinent information. Make Sure to read Chapter 1, Safety!
 Due to ongoing upgrades specifications may change without notice, contact a Monosem Rep for current information.

NOTE:
 MOTOR ASM INCLUDES KEY,
 APPLY ANTI-SIEZE TO MOTOR SHAFT
 BEFORE ASSEMBLY



STANDARD

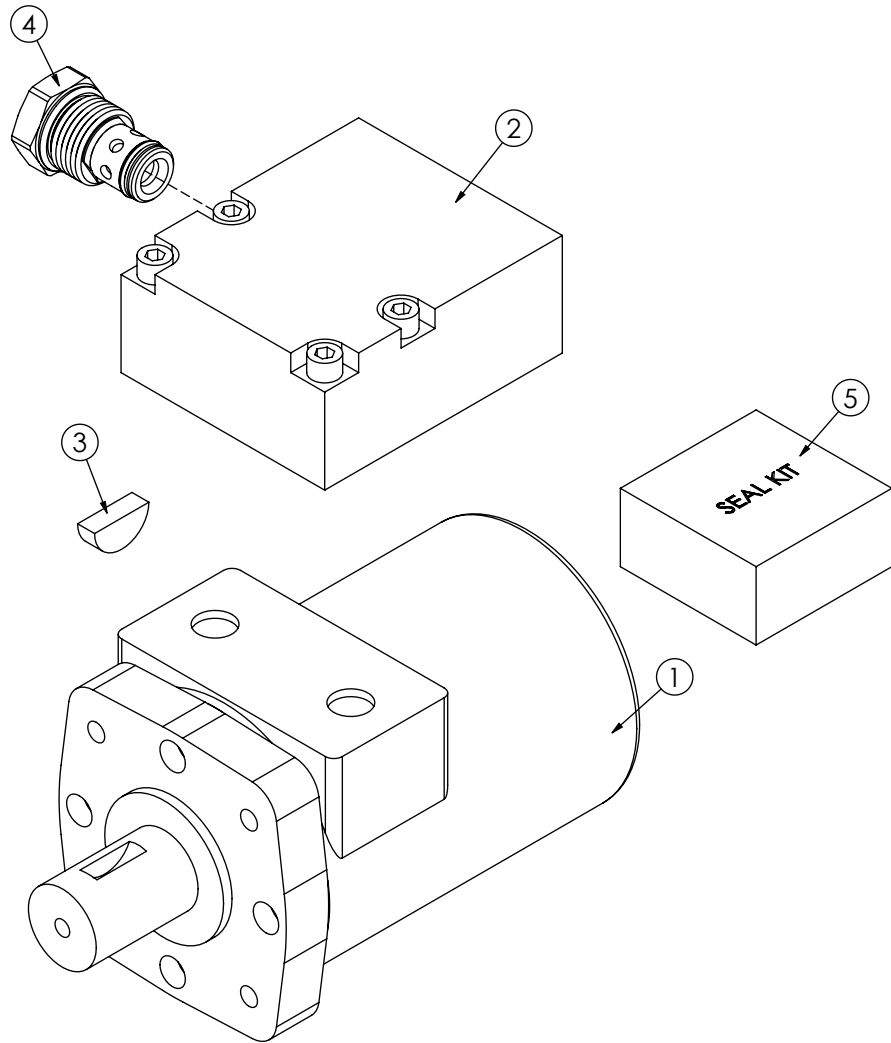
NOTE:

- 1 TORQUE N-3101 TO 35 FT.-LBS. ± 5 FT.-LBS.
- 2 1/2" HYDRAULIC HOSE LINES.
- 3 USE FRONT HOLE FOR STANDARD TURBO FAN,
 USE BACK HOLE FOR HIGH OUTPUT TURBO FAN.

ITEM NO.	QTY.	PART NUMBER	DESCRIPTION
1	1	200266	MOTOR MOUNT END WA
2	1	200161	BRACKET WA
3	1	FTA0232-1	STD & HIGH OUTPUT TURBO MOTOR
4	1	640925	COUPLING
5	1	5041	ELASTIC SHOCK ABSORBER
6	1	5042	COUPLING, MOTOR SIDE, 1" KEYED
7	1	5040	COUPLING, TURBOFAN END, 6 SPLI
8	2	10591915	SCREW, SOCKET SET , M8 x 16
9	1	5039	COUPLING SPACER, 62MM LONG
10	1	800436	SPIDER RING
11	2	TA6400-8-8	1/2 MALE JIC-1/2 MALE O-RING
12	4	F23305	SCREW, SCKT HD CAP , 3/8"-16 X 1"
13	4	CB-2210	BOLT, CARRIAGE, 3/8"-16 X 1" G5
14	4	N-2301	NUT, FLANGE, SERRATED, 3/8"-16
15	4	CB-3323	BOLT, CARRIAGE, 7/16"-14 X 2-1/4" FULL THRD G5
16	4	N-3103	NUT, FLANGE, SERRATED, 7/16"-14
17	4	N-3101	NUT, NYLOCK 7/16"-14 G5
18	4	W-2610	WASHER, SPLIT, 3/8" G8 YZ
19	4	W-3410	WASHER, FLAT, 7/16" SAE G8 YZ

STD & HIGH OUTPUT TURBO MOTOR

This is not the latest version of the manual. An extra download may not contain all pertinent information. Make Sure to read Chapter 1, Safety!
Due to ongoing upgrades specifications may change without notice, contact a Monosem Rep for current information.



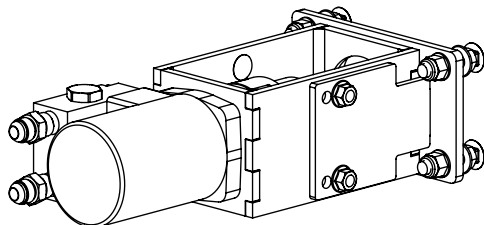
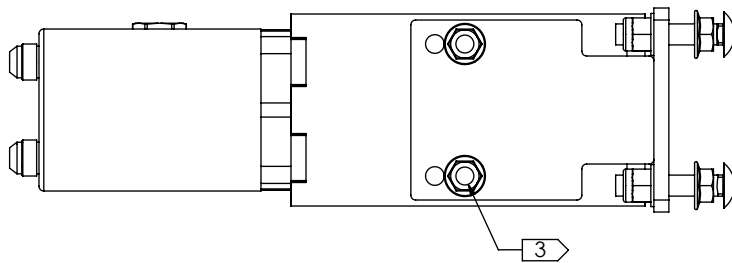
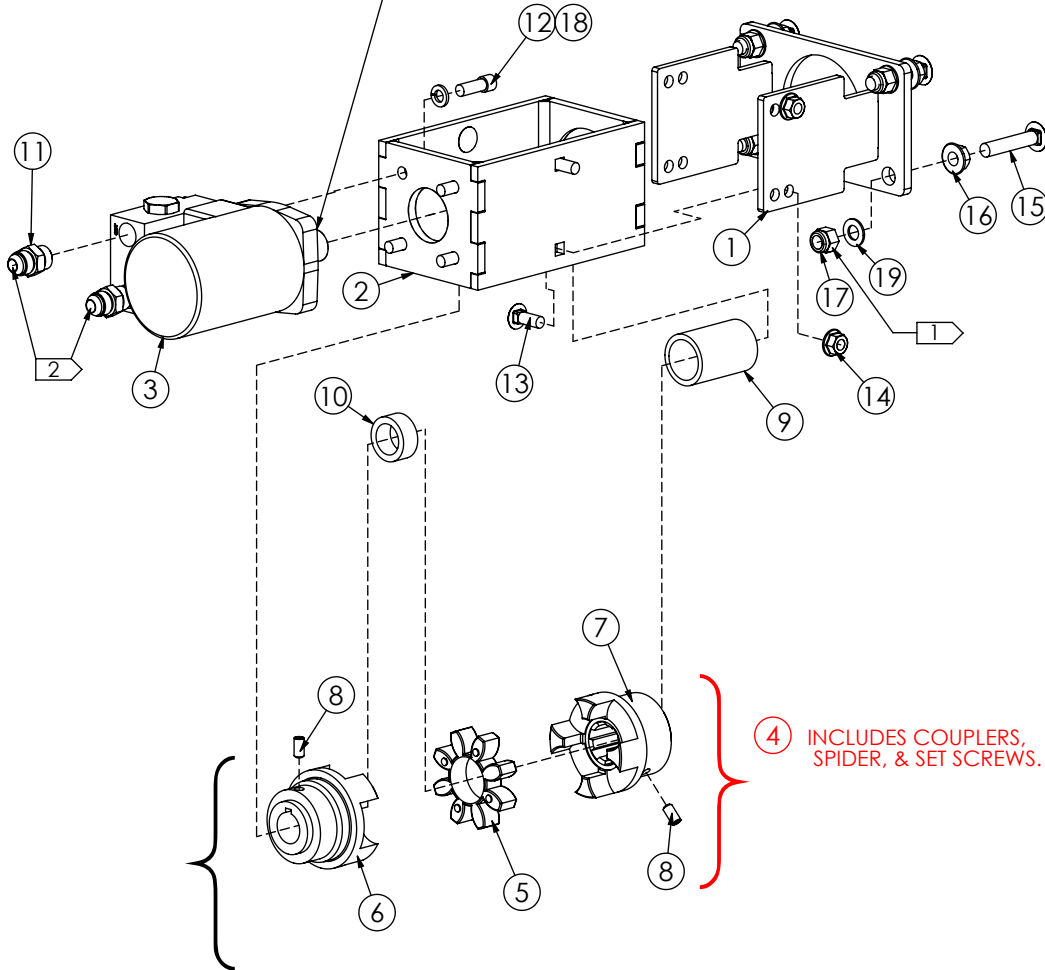
STD & HIGH OUTPUT TURBO MOTOR

ITEM NO.	QTY.	PART NUMBER	DESCRIPTION
1	1	F101-017	HYDRAULIC MOTOR
2	1	FP10270-2	BYPASS BLOCK w/ HARDWARE
3	1	F14193	WOODRUFF KEY
4	1	900022	CHECK VALVE CARTRIDGE
5	1	F60540	SEAL KIT

MOTOR BRACKET ASM, EXTRA HIGH OUTPUT TURBO

This is a non-optional item for the motor. A part is shown with a key for all pertinent information. Make Sure to read Chapter 1, Safety!
 Due to ongoing upgrades specifications may change without notice, contact a Monosem Rep for current information.

NOTE:
 MOTOR ASM INCLUDES KEY,
 APPLY ANTI-SIEZE TO MOTOR SHAFT
 BEFORE ASSEMBLY



NOTE:

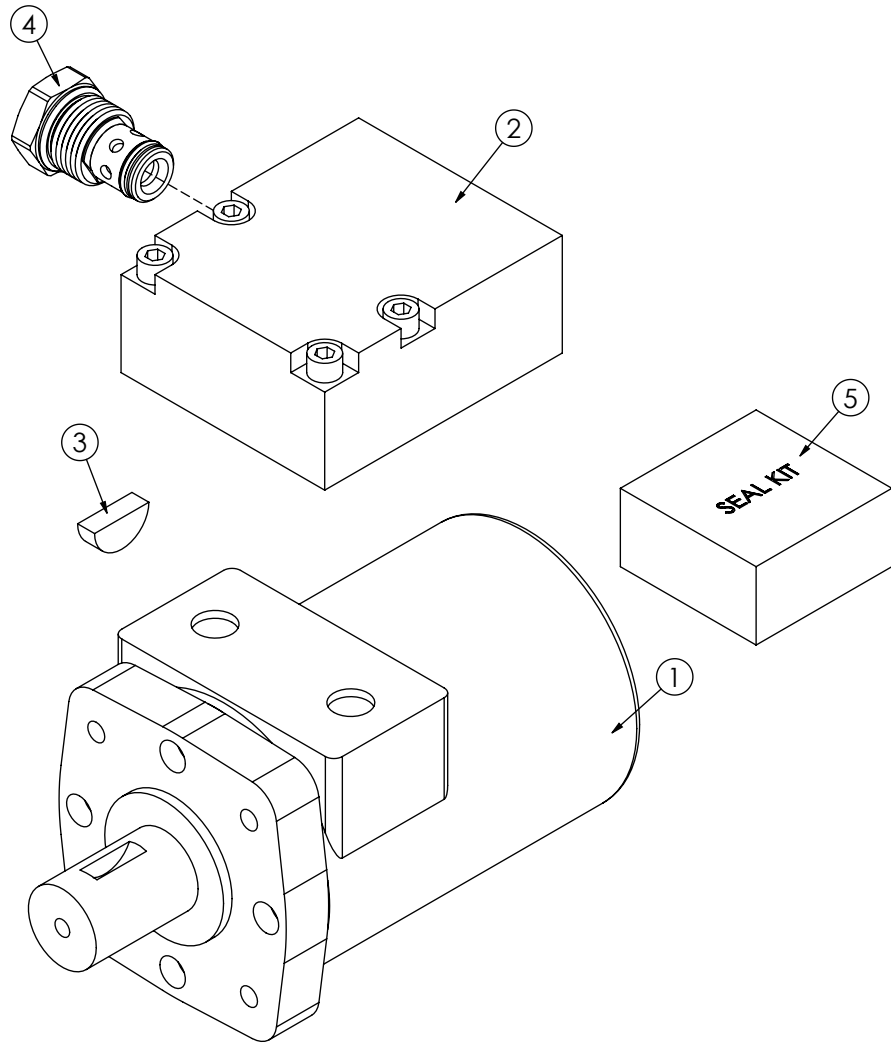
- 1 TORQUE N-3101 TO 35 FT.-LBS. ± 5 FT.-LBS.
- 2 1/2" HYDRAULIC HOSE LINES.
- 3 USE BACK HOLE FOR EXTRA HIGH OUTPUT TURBO FAN.

MOTOR BRACKET ASM, EXTRA HIGH OUTPUT TURBO

ITEM NO.	QTY.	PART NUMBER	DESCRIPTION
1	1	200266	MOTOR MOUNT END WA
2	1	200161	BRACKET WA
3	1	FTA0425	XHO TURBO MOTOR
4	1	640925	COUPLING
5	1	5041	ELASTIC SHOCK ABSORBER
6	1	5042	COUPLING, MOTOR SIDE, 1" KEYED
7	1	5040	COUPLING, TURBOFAN END, 6 SPLI
8	2	10591915	SCREW, SOCKET SET , M8 x 16
9	1	5039	COUPLING SPACER, 62MM LONG
10	1	800436	SPIDER RING
11	2	TA6400-8-8	1/2 MALE JIC-1/2 MALE O-RING
12	4	F23305	SCREW, SCKT HD CAP , 3/8"-16 X 1"
13	4	CB-2210	BOLT, CARRIAGE, 3/8"-16 X 1" G5
14	4	N-2301	NUT, FLANGE, SERRATED, 3/8"-16
15	4	CB-3323	BOLT, CARRIAGE, 7/16"-14 X 2-1/4" FULL THRD G5
16	4	N-3103	NUT, FLANGE, SERRATED, 7/16"-14
17	4	N-3101	NUT, NYLOCK 7/16"-14 G5
18	4	W-2610	WASHER, SPLIT, 3/8" G8 YZ
19	4	W-3410	WASHER, FLAT, 7/16" SAE G8 YZ

EXTRA HIGH OUTPUT TURBO MOTOR

This is a download version of the manual. If the download may not contain all pertinent information. Make Sure to read Chapter 1, Safety!
Due to ongoing upgrades specifications may change without notice, contact a Monosem Rep for current information.



ITEM NO.	QTY.	PART NUMBER	DESCRIPTION
1	1	F101-018	HYDRAULIC MOTOR
2	1	FP10270-2	BYPASS BLOCK w/ HARDWARE
3	1	F14193	WOODRUFF KEY
4	1	900022	CHECK VALVE CARTRIDGE
5	1	F60540	SEAL KIT