

This is a downloadable version of the manual. A partial download may not contain all pertinent information. Make Sure to read Chapter 1, Safety!
Due to ongoing upgrades specifications may change without notice, contact a Monosem Rep for current information.

TABLE OF CONTENTS

1. SAFETY

2. PREPARATION

3. FRAME

4. TRANSMISSION

5. DRIVE

6. ROW UNIT

7. OPTIONAL EQUIPMENT

TRANSMISSION

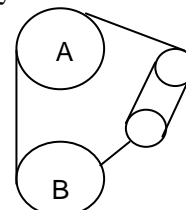
Pull-Type, Rigid Frame

PLANTING RATE CHART

The following planting distances were obtained with standard assembly and sprocket system. Additional settings are possible by using different combinations or special sprockets. Please consult us in case you have such special requirements.

Important: Poor alignment of the sprockets of the seed spacing gearbox and stiffness of the chain will cause premature side wear on the pinions. Make sure the chains are tight and properly lubricated, and the tires are properly inflated.

The indicated spacings are theoretical and may vary from 5-10% depending on soil conditions.



Number of holes in the Seed Disc.

		Transmission sprocket selection																	
Driver-A		26	24	28	26	24	28	26	26	24	23	26	23	24	23	19	17	14	14
Driven-B		14	14	17	17	17	23	23	24	23	24	28	26	28	28	28	28	24	26

Seed Spacing (inches)

	9	12	18	24	30	36	40	48	60	72	90	120	180				
7.9	8.5	8.9	9.5	10.3	12.0	12.9	13.5	14.0	15.2	15.7	16.5	17.0	17.8	21.5	24.1	25.0	27.1
5.9	6.4	6.7	7.2	7.8	9.0	9.7	10.1	10.5	11.4	11.8	12.4	12.8	13.3	16.1	18.0	18.8	20.3
3.9	4.3	4.4	4.8	5.2	6.0	6.5	6.7	7.0	7.6	7.9	8.3	8.5	8.9	10.8	12.0	12.5	13.6
2.9	3.2	3.3	3.6	3.9	4.5	4.8	5.1	5.2	5.7	5.9	6.2	6.4	6.7	8.1	9.0	9.4	10.2
2.4	2.6	2.7	2.9	3.1	3.6	3.9	4.0	4.2	4.6	4.7	5.0	5.1	5.3	6.5	7.2	7.5	8.1
2.0	2.1	2.2	2.4	2.6	3.0	3.2	3.4	3.5	3.8	3.9	4.1	4.3	4.4	5.4	6.0	6.3	6.8
1.8	1.9	2.0	2.1	2.3	2.7	2.9	3.0	3.1	3.4	3.5	3.7	3.8	4.0	4.8	5.4	5.6	6.1
1.5	1.6	1.7	1.8	1.9	2.2	2.4	2.5	2.6	2.9	2.9	3.1	3.2	3.3	4.0	4.5	4.7	5.1
1.2	1.3	1.3	1.4	1.6	1.8	1.9	2.0	2.1	2.3	2.4	2.5	2.6	2.7	3.2	3.6	3.8	4.1
1.0	1.1	1.1	1.2	1.3	1.5	1.6	1.7	1.7	1.9	2.0	2.1	2.1	2.2	2.7	3.0	3.1	3.4
0.8	0.9	0.9	1.0	1.0	1.2	1.3	1.3	1.4	1.5	1.6	1.7	1.7	1.8	2.2	2.4	2.5	2.7
0.6	0.6	0.7	0.7	0.8	0.9	1.0	1.0	1.0	1.1	1.2	1.2	1.3	1.3	1.6	1.8	1.9	2.0
0.4	0.4	0.4	0.5	0.5	0.6	0.6	0.7	0.7	0.8	0.8	0.8	0.9	0.9	1.1	1.2	1.3	1.4

G3 (3/26/12)

TRANSMISSION

**SINGLE ROW
 DENSITIES – SEED POPULATION CHART**

AVERAGE

**SEED
 SPACING**

ROW SPACING

	10"	22"	26"	30"	34"	36"	38"	40"
1"	627,600	285,200	241,200	209,200	184,400	174,400	165,000	156,800
2"	313,800	142,600	120,600	104,600	92,200	87,200	82,500	78,400
2 3/4"	228,000	103,600	87,800	76,000	67,000	63,400	60,000	57,000
3 1/4"	193,200	87,800	74,200	64,400	56,800	53,600	50,800	48,200
3 1/2"	180,300	81,900	69,300	60,100	53,000	50,000	47,400	45,000
3 3/4"	167,400	76,034	64,300	55,800	49,200	46,500	44,000	41,800
4"	156,900	71,300	60,300	52,300	46,100	43,600	41,250	39,200
4 1/4"	147,600	67,000	56,800	49,200	43,400	41,000	38,800	36,900
4 1/2"	139,500	63,400	53,600	46,500	41,000	38,700	36,700	34,850
5"	125,400	57,000	48,250	41,800	36,900	34,850	33,000	31,400
5 1/2"	114,000	51,800	43,900	38,000	33,500	31,700	30,000	28,500
6"	104,550	47,500	40,200	34,850	30,750	29,000	27,500	26,100
6 1/2"	96,600	43,900	37,100	32,200	28,400	26,800	25,400	24,100
7"	90,150	40,950	34,650	30,050	26,500	25,000	23,700	22,500
7 1/2"	83,700	38,000	32,200	27,900	24,600	23,200	22,000	20,900
8"	78,750	35,750	30,300	26,250	23,150	21,850	20,700	19,675
8 1/2"	73,800	33,500	28,400	24,600	21,700	20,500	19,400	18,450
9"	69,900	31,750	26,900	23,300	20,550	19,425	18,387	17,475
9 1/2"	66,000	30,000	25,400	22,000	19,400	18,350	17,375	16,500
10"	62,850	28,575	24,200	20,950	18,475	17,475	16,537	15,725
10 1/2"	59,700	27,150	23,000	19,900	17,550	16,600	15,700	14,950
11 1/2"	54,600	24,800	21,000	18,200	16,050	15,150	15,350	13,650
12"	52,275	23,750	20,100	17,425	15,375	14,500	13,750	13,050
13"	48,300	21,950	18,550	16,100	14,200	13,400	12,700	12,050
13 1/2"	46,689	21,213	19,163	15,563	13,725	12,950	12,275	11,650
14 1/2"	43,464	20,475	17,938	14,488	12,775	12,050	11,425	10,850

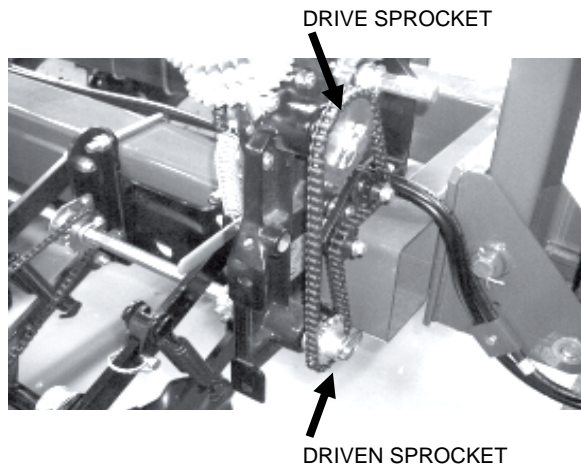
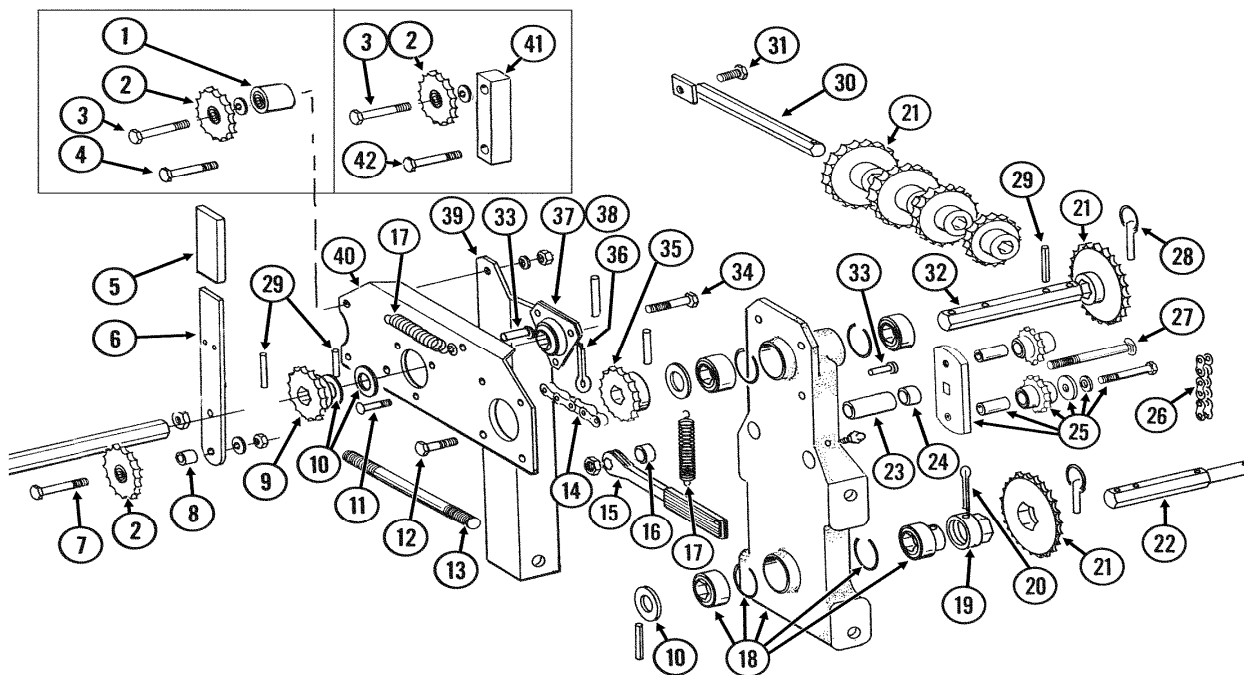
TRANSMISSION

Pull-Type, Rigid Frame

ADJUSTMENT & ASSEMBLY

Planting population rate changes are made at the end mounted transmission. The planter is designed to allow simple, rapid changes in sprockets to obtain the desired population. By removing the lynch pins on the hexagon shafts, sprockets can be interchanged with those from the sprocket storage rod bolted to the transmission. The planting rate chart will aid you in selecting the correct sprocket combinations.

Chain Tension is controlled by a spring loaded dual sprocket idler. The idler assembly is adjusted with a ratchet arm. This arm has a release position to remove spring tension for replacing sprockets. The amount of spring tension on the chain can be controlled by the ratchet arm.



TRANSMISSION

Pull-Type, Rigid Frame

ITEM	PART No.	DESCRIPTION
1	KB0259	Spacer 1"
2	KA7154	Idler sprocket 18 tooth
3	K10033	Hex bolt 1/2-13 x 3 1/2
	K10128	Bushing 1/2 x 14GA
	K10228	Lock washer 1/2
	K10102	Hex nut 1/2-13
4	K10039	Hex bolt 1/2-13 x 1 3/4
	K10228	Lock washer 1/2
	K10102	Hex nut 1/2-13
5	KD5827	Cover
7	K10053	Hex bolt 1/2-13 x 2 1/2
	K10128	Bushing 1/2 x 14GA
	K10228	Lock washer 1/2
	K10102	Hex nut 1/2-13
8	KD4887-01	Sleeve 1/2" I.D. x 5/8" long
9	KA5105	Sprocket 15 tooth
10	K10233	Bushing 1" x 10GA
11	K10303	Carriage bolt 5/16-18 x 1
	K10232	Lock washer 5/16
	K10106	Hex nut 5/16-18
12	K10037	Hex bolt 1/2-13 x 1 1/4
	K10228	Lock washer 1/2
	K10102	Hex nut 1/2-13
13	KD6793	Stud 5/8-11 x 9 1/2
	K10230	Lock washer 5/8
	K10107	Lock nut 5/8-11
14	K3310-92	Chain No.40 x 92 pitches
15	KA4235	Ratchet arm w/sleeve
	K10445	Sleeve only
16	KD10161	Spacer 3/8"
17	KD5857	Spring
18	KA5629	Transmission plate
	KA5116	Bearing 7/8 hex bore cylindrical
	KA5624	Special bearing
	KD6551	Ring
	K10640	Grease fitting 1/4-28
19	KD7127	Shear coupling
20	K10462	Cotter pin 3/16 x 2
21	KA5106	Sprocket, 17 tooth
	KA5107	Sprocket, 19 tooth
	KA5108	Sprocket, 23 tooth

ITEM	PART No.	DESCRIPTION
21	KA5109	Sprocket, 24 tooth
	KA5110	Sprocket, 25 tooth
	KA5111	Sprocket, 26 tooth
	KA5112	Sprocket, 27 tooth
	KA5113	Sprocket, 28 tooth
22	KD7822	Shaft 7/8" x 7"
23	KD3180-16	Sleeve 2 13/16 long
24	KD2734-01	Sleeve 1/2" long
25	KA7336	Idler sprocket assembly
	KD7426	Sprocket only 12 tooth
	KD1026	Sleeve 1 3/16" long
	K10210	Washer 3/8
	K10229	Lock washer 3/8
	K10047	Hex bolt 3/8-16 x 1 3/4
26	K3310-80	Chain No. 40 x 80 pitches
27	K10867	Carriage bolt 1/2-13 x 5
	K10111	Lock nut 1/2-13
28	KD2558	Lynch pin 1/4
29	K10602	Spring pin 1/4 x 1 1/2
30	KA5146	Sprocket storage rod
31	K10017	Hex bolt 1/2-13 x 1 1/2
	K10228	Lock washer 1/2
	K10102	Hex nut 1/2-13
32	KD5835	Shaft 7/8" x 7"
33	K10478	Clevis pin 5/16 x 1
	K10409	Retaining ring 5/16
34	K10001	Hex bolt 3/8-16 x 1
	K10229	Lock washer 3/8
	K10203	Washer 3/8 SAE
	K10210	Washer 3/8 USS
	KD5756	Special nut
35	KA5107	Sprocket 19 tooth
	KA5112	Sprocket w/ Sync-Row® 27 tooth
36	K10460	Cotter pin 1/4 x 2
37	K2100-03	Bearing 7/8 hex bore spherical
38	K3400-01	Flangette
39	KD5830	Angle support R.H.
40	KD5824	Plate R.H.
41	KD12571	Spacer 1" x 4"
42	K10053	Hex bolt 1/2-13 x 2 1/2
	K10228	Lock washer 1/2
	K10102	Hex nut 1/2-13