

**TABLE OF CONTENTS**

---

**1. SAFETY**

---

**2. PREPARATION**

---

**3. FRAME**

---

**4. TRANSMISSION**

---

**5. DRIVE**

---

**6. ROW UNIT**

---

**7. OPTIONAL EQUIPMENT**

---

**TRANSMISSION**

**7" x 7" 3pt Mounted and Stacking Toolbar Frame**

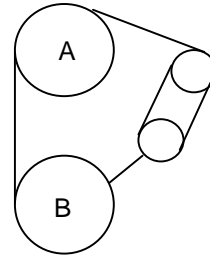
**PLANTING RATE CHART**

**3pt Mounted & Stacking Planters**

The following planting distances were obtained with standard assembly and sprocket system. Additional settings are possible by using different combinations or special sprockets. Please consult us in case you have such special requirements.

Important: Poor alignment of the sprockets of the seed spacing gearbox and stiffness of the chain will cause premature side wear on the pinions. Make sure the chains are tight and properly lubricated, and the tires are properly inflated.

**The indicated spacings are theoretical and may vary from 5-10% depending on soil conditions.**



**SOWING DISTANCES**

Number of  
 Holes in the Transmission sprocket selection  
 Seed Disc

|     | A    | 26                           | 24   | 23   | 26   | 24   | 23   | 24   | 23   | 19   | 19   | 17   | 18   | 19   | 17   | 18   | 17   | 14   | 14   | 14 |  |
|-----|------|------------------------------|------|------|------|------|------|------|------|------|------|------|------|------|------|------|------|------|------|----|--|
|     | B    | 17                           | 17   | 19   | 23   | 23   | 24   | 26   | 26   | 23   | 24   | 23   | 26   | 28   | 26   | 28   | 28   | 24   | 26   | 28 |  |
|     |      | <b>Seed Spacing (inches)</b> |      |      |      |      |      |      |      |      |      |      |      |      |      |      |      |      |      |    |  |
| 9   | 7.9  | 8.6                          | 10.0 | 10.7 | 11.6 | 12.7 | 13.1 | 13.7 | 14.7 | 15.3 | 16.4 | 17.5 | 17.9 | 18.6 | 18.9 | 20.0 | 20.8 | 22.5 | 24.3 |    |  |
| 12  | 6.0  | 6.4                          | 7.5  | 8.1  | 8.7  | 9.5  | 9.9  | 10.3 | 11.0 | 11.5 | 12.3 | 13.1 | 13.4 | 13.9 | 14.2 | 15.0 | 15.6 | 16.9 | 18.2 |    |  |
| 18  | 4.0  | 4.3                          | 5.0  | 5.4  | 5.8  | 6.3  | 6.6  | 6.9  | 7.3  | 7.7  | 8.2  | 8.8  | 8.9  | 9.3  | 9.4  | 10.0 | 10.4 | 11.3 | 12.1 |    |  |
| 24  | 3.0  | 3.2                          | 3.8  | 4.0  | 4.4  | 4.7  | 4.9  | 5.1  | 5.5  | 5.7  | 6.2  | 6.6  | 6.7  | 7.0  | 7.1  | 7.5  | 7.8  | 8.5  | 9.1  |    |  |
| 30  | 2.4  | 2.6                          | 3.0  | 3.2  | 3.5  | 3.8  | 3.9  | 4.1  | 4.4  | 4.6  | 4.9  | 5.3  | 5.4  | 5.6  | 5.7  | 6.0  | 6.2  | 6.8  | 7.3  |    |  |
| 36  | 2.0  | 2.1                          | 2.5  | 2.7  | 2.9  | 3.2  | 3.3  | 3.4  | 3.7  | 3.8  | 4.1  | 4.4  | 4.5  | 4.6  | 4.7  | 5.0  | 5.2  | 5.6  | 6.1  |    |  |
| 40  | 1.8  | 1.9                          | 2.3  | 2.4  | 2.6  | 2.8  | 3.0  | 3.1  | 3.3  | 3.4  | 3.7  | 3.9  | 4.0  | 4.2  | 4.2  | 4.5  | 4.7  | 5.1  | 5.5  |    |  |
| 48  | 1.5  | 1.6                          | 1.9  | 2.0  | 2.2  | 2.4  | 2.5  | 2.6  | 2.8  | 2.9  | 3.1  | 3.3  | 3.4  | 3.5  | 3.5  | 3.7  | 3.9  | 4.2  | 4.6  |    |  |
| 60  | 1.2  | 1.3                          | 1.5  | 1.6  | 1.7  | 1.9  | 2.0  | 2.1  | 2.2  | 2.3  | 2.5  | 2.6  | 2.7  | 2.8  | 2.8  | 3.0  | 3.1  | 3.4  | 3.6  |    |  |
| 72  | 1.0  | 1.1                          | 1.3  | 1.3  | 1.5  | 1.6  | 1.6  | 1.7  | 1.8  | 1.9  | 2.1  | 2.2  | 2.2  | 2.3  | 2.4  | 2.5  | 2.6  | 2.8  | 3.0  |    |  |
| 90  | 0.79 | 0.86                         | 1.00 | 1.07 | 1.16 | 1.27 | 1.31 | 1.37 | 1.47 | 1.53 | 1.64 | 1.75 | 1.79 | 1.86 | 1.89 | 2.00 | 2.08 | 2.25 | 2.43 |    |  |
| 120 | 0.60 | 0.64                         | 0.75 | 0.81 | 0.87 | 0.95 | 0.99 | 1.03 | 1.10 | 1.15 | 1.23 | 1.31 | 1.34 | 1.39 | 1.42 | 1.50 | 1.56 | 1.69 | 1.82 |    |  |

**TRANSMISSION**

---

**7" x 7" 3pt Mounted & Stacking Toolbar Frame**

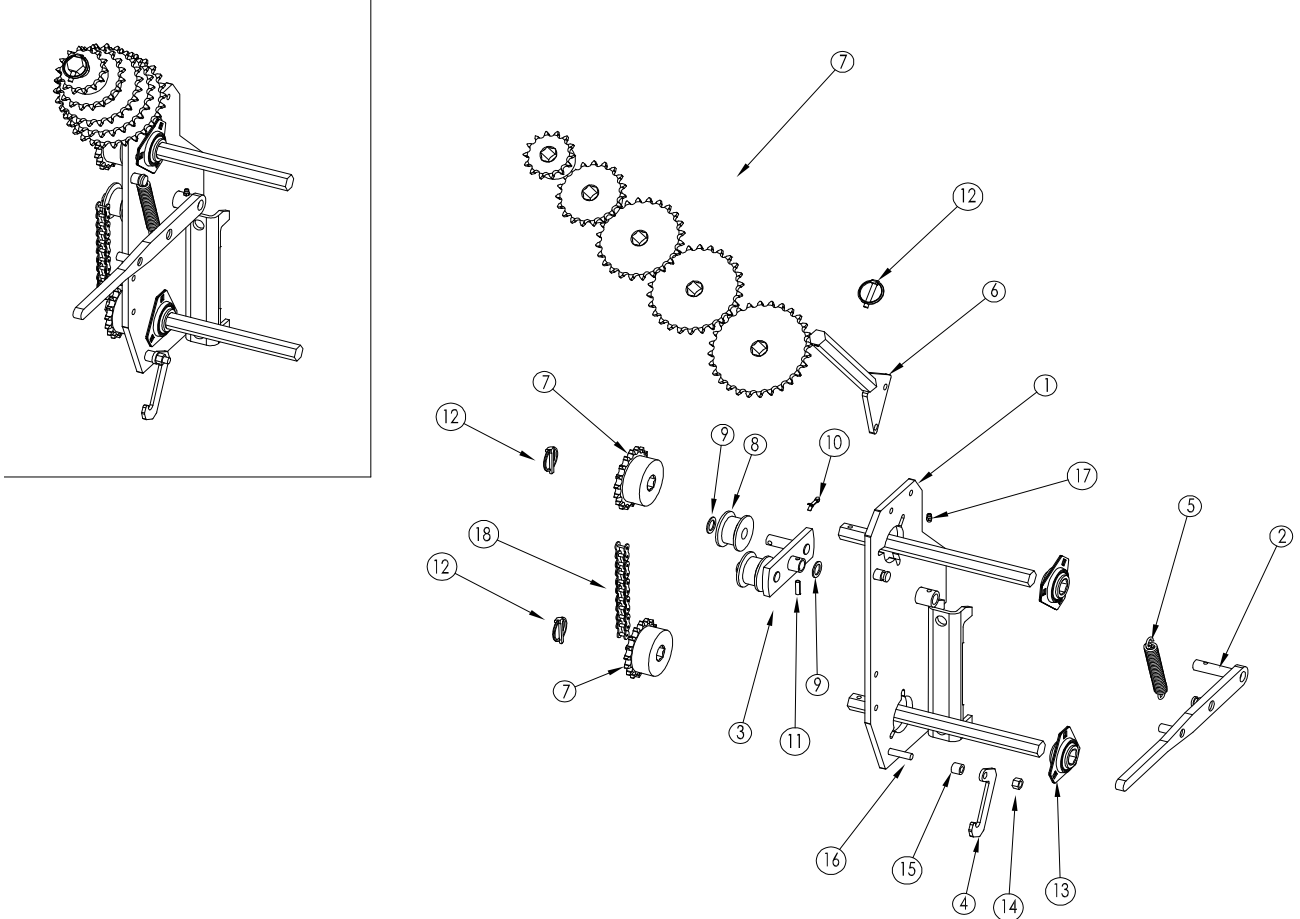
**TWIN – ROW  
 DENSITIES – SEED POPULATION CHART**

| AVG SEED<br>SPACING | ROW SPACING |         |         |         |
|---------------------|-------------|---------|---------|---------|
|                     | 30"         | 36"     | 38"     | 40"     |
| 1"                  | 418,400     | 348,800 | 330,000 | 313,600 |
| 2"                  | 209,200     | 174,400 | 165,000 | 156,800 |
| 2 3/4"              | 152,000     | 126,800 | 120,000 | 114,000 |
| 3 1/4"              | 128,800     | 107,200 | 101,600 | 96,400  |
| 3 1/2"              | 120,200     | 100,000 | 94,800  | 90,000  |
| 3 3/4"              | 111,600     | 93,000  | 88,000  | 83,600  |
| 4"                  | 104,600     | 87,200  | 82,500  | 78,400  |
| 4 1/4"              | 98,400      | 82,000  | 77,600  | 73,800  |
| 4 1/2"              | 93,000      | 77,400  | 73,400  | 69,700  |
| 5"                  | 83,600      | 69,700  | 66,000  | 62,800  |
| 5 1/2"              | 76,000      | 63,400  | 60,000  | 57,000  |
| 6"                  | 69,700      | 58,000  | 55,000  | 52,220  |
| 6 1/2"              | 64,400      | 53,600  | 50,800  | 48,200  |
| 7"                  | 60,100      | 50,000  | 47,400  | 45,000  |
| 7 1/2"              | 55,800      | 46,400  | 44,000  | 41,800  |
| 8"                  | 52,500      | 43,700  | 41,400  | 39,350  |
| 8 1/2"              | 49,200      | 41,000  | 38,800  | 36,900  |
| 9"                  | 46,600      | 38,850  | 36,774  | 34,950  |
| 9 1/2"              | 44,000      | 36,700  | 34,750  | 33,000  |
| 10"                 | 41,900      | 34,950  | 33,074  | 31,450  |
| 10 1/2"             | 39,800      | 33,200  | 31,400  | 29,900  |
| 11 1/2"             | 36,400      | 30,300  | 30,700  | 27,300  |
| 12"                 | 34,850      | 29,000  | 27,500  | 26,100  |
| 13"                 | 32,200      | 26,800  | 25,400  | 24,100  |
| 13 1/2"             | 31,000      | 25,900  | 24,550  | 23,300  |
| 14 1/2"             | 28,976      | 24,100  | 22,850  | 21,700  |

**TRANSMISSION**

**7" x 7" 3pt Mounted and Stacking Toolbar Frame**

**SINGLE PLATE TRANSMISSION ASSEMBLY**



**PARTS**

| ITEM | PART No. | DESCRIPTION                    |
|------|----------|--------------------------------|
| 1    | E6001.1L | Plate L.H. (shown)             |
|      | E6001.1R | Plate R.H.                     |
| 2    | 800238   | Handle                         |
| 3    | 4796.A   | Idler bracket                  |
| 4    | 800237   | Hook                           |
| 5    | 4334     | Spring                         |
| 6    | 4793.A   | Storage rod for sprockets      |
| 7    | G50B14   | Sprocket, 14 tooth, #50 (std.) |
|      | G50B15   | Sprocket, 15 tooth, #50        |
|      | G50B17   | Sprocket, 17 tooth, #50 (std.) |
|      | G50B18   | Sprocket, 18 tooth, #50        |
|      | G50B19   | Sprocket, 19 tooth, #50 (std.) |
|      | G50B21   | Sprocket, 21 tooth, #50        |
|      | G50B23   | Sprocket, 23 tooth, #50 (std.) |
|      | G50B24   | Sprocket, 24 tooth, #50 (std.) |
|      | G50B25   | Sprocket, 25 tooth, #50        |
|      | G50B26   | Sprocket, 26 tooth, #50 (std.) |
|      | G50B27   | Sprocket, 27 tooth, #50        |
|      | G50B28   | Sprocket, 28 tooth, #50 (std.) |
|      | G50B30   | Sprocket, 30 tooth, #50        |

| ITEM  | PART No.  | DESCRIPTION                 |
|-------|-----------|-----------------------------|
| 8     | KD0916    | Idler roller                |
| 9     | 10622024  | Washer M16.5 X 26 X 1       |
| 10    | 10170067  | Cotter pin M5 X 40          |
| 11    | 10172090  | Roll pin M6 X 25            |
| 12    | 6077      | Lynch pin M6                |
| 13    | 4515      | Bearing w/flangettes        |
|       | 4515.1    | Bearing only (205KRRB2)     |
|       | 4515.2    | Flangette only (2 req'd)    |
|       | CB-1110   | Carriage bolt, 5/16-18 X 1" |
|       | W-1410    | Washer, 5/16" SAE           |
|       | W-1610    | Lock washer, 5/16"          |
|       | N-1001    | 5/16 Hex nut                |
| 14    | N-2101    | Nylock nut 3/8"             |
|       | W-2210    | Washer, 3/8" USS            |
| 15    | KD2971-10 | Bushing                     |
| 16    | H-3130    | Hex bolt 3/8-16 X 1 3/4"    |
| 17    | F60102    | Grease zerck 1/8" NPT       |
| 18    | 4795.A    | Chain #50 X 72 pitch        |
| E6000 |           | Transmission complete       |

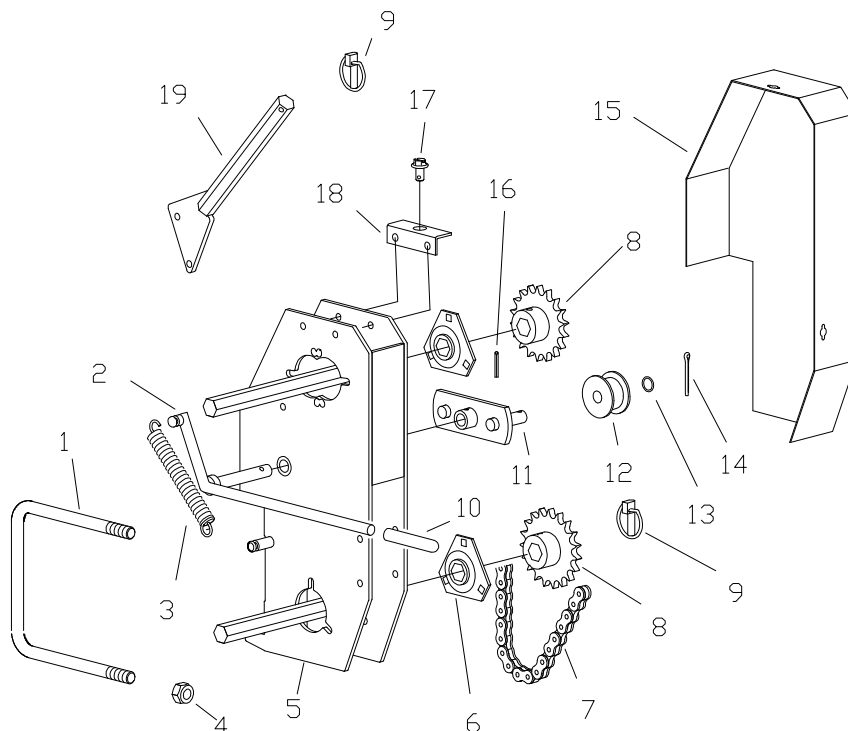
## TRANSMISSION

### 7" x 7" 3pt Mounted

#### ADJUSTMENT AND ASSEMBLY

Planting population rate changes are made at the end mounted transmission. The planter is designed to allow simple, rapid changes in sprockets to obtain the desired population. By removing the lynch pins (9) on the hexagon shafts, sprockets can be interchanged with those from the sprocket storage rod bolted to the transmission. The planting rate chart on the following page will aid you in selecting the correct sprocket combinations.

**NOTE:** One transmission is equipped on a 6-row 30"-40" and two transmissions on 8 and 12-row 30"-40". When using two transmissions the unit hex shaft must be split in the center.



| ITEM | PART No. | DESCRIPTION                            |
|------|----------|--|
| 1    | 4502.S   | U Bolt, 7 x 7, 5/8-11                  |
| 2    | 4798.G   | Lever, right side (shown)              |
|      | 4798.D   | Lever, left side                       |
| 3    | 9147     | Spring                                 |
| 4    | F37188   | Nylon locknut, 5/8-11                  |
| 5    | 4797.B   | Gearbox frame                          |
| 6    | 4515     | Bearing complete with flanges          |
|      | 4515.1   | Bearing only, hex bore (205KRRB2)      |
|      | 4515.2   | Flange                                 |
| 7    | 4795.A   | Drive chain, #50, 72 links w/conn link |
| 8    | G50B14   | Sprocket, 14 tooth, #50 (standard)     |
|      | G50B15   | Sprocket, 15 tooth, #50                |
|      | G50B17   | Sprocket, 17 tooth, #50 (standard)     |
|      | G50B18   | Sprocket, 18 tooth, #50                |
|      | G50B19   | Sprocket, 19 tooth, #50 (standard)     |
|      | G50B21   | Sprocket, 21 tooth, #50                |
|      | G50B23   | Sprocket, 23 tooth, #50 (standard)     |
|      | G50B24   | Sprocket, 24 tooth, #50 (standard)     |

| ITEM | PART No. | DESCRIPTION                        |
|------|----------|------------------------------------|
|      | G50B25   | Sprocket, 25 tooth, #50            |
|      | G50B26   | Sprocket, 26 tooth, #50 (standard) |
|      | G50B27   | Sprocket, 27 tooth, #50            |
|      | G50B28   | Sprocket, 28 tooth, #50 (standard) |
|      | G50B30   | Sprocket, 30 tooth, #50            |
| 9    | 6077     | Lynch pin, 6mm                     |
| 10   | 4895     | Plastic cover for lever            |
| 11   | 4796.A   | Idler bracket                      |
| 12   | 4772     | Idler roller                       |
| 13   | 10622026 | Washer, 16.5x26x2                  |
| 14   | 10170067 | Cotter pin, 5 x 40                 |
| 15   | 5128.D   | Chain guard, right side (shown)    |
|      | 5128.G   | Chain guard, left side             |
| 16   | 10172090 | Roll pin, 6 x 25                   |
| 17   | 9724.2   | Keeper bolt for shield             |
| 18   | 5132     | Bracket for guard mounting         |
| 19   | 4793.A   | Storage rod for sprockets          |