

TABLE OF CONTENTS

1. SAFETY

2. PREPARATION

3. FRAME

4. TRANSMISSION

5. DRIVE

6. ROW UNIT

7. OPTIONAL EQUIPMENT

TRANSMISSION

7" x 7" 3pt Mounted and Stacking Toolbar Frame

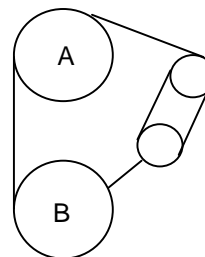
PLANTING RATE CHART

3pt Mounted & Stacking Planters

The following planting distances were obtained with standard assembly and sprocket system. Additional settings are possible by using different combinations or special sprockets. Please consult us in case you have such special requirements.

Important: Poor alignment of the sprockets of the seed spacing gearbox and stiffness of the chain will cause premature side wear on the pinions. Make sure the chains are tight and properly lubricated, and the tires are properly inflated.

The indicated spacings are theoretical and may vary from 5-10% depending on soil conditions.



SOWING DISTANCES

Number of
 Holes in the Transmission sprocket selection
 Seed Disc

	A	26	24	23	26	24	23	24	23	19	19	17	18	19	17	18	17	14	14	14	
	B	17	17	19	23	23	24	26	26	23	24	23	26	28	26	28	28	24	26	28	
		Seed Spacing (inches)																			
9	↓	7.9	8.6	10.0	10.7	11.6	12.7	13.1	13.7	14.7	15.3	16.4	17.5	17.9	18.6	18.9	20.0	20.8	22.5	24.3	
12		6.0	6.4	7.5	8.1	8.7	9.5	9.9	10.3	11.0	11.5	12.3	13.1	13.4	13.9	14.2	15.0	15.6	16.9	18.2	
18		4.0	4.3	5.0	5.4	5.8	6.3	6.6	6.9	7.3	7.7	8.2	8.8	8.9	9.3	9.4	10.0	10.4	11.3	12.1	
24		3.0	3.2	3.8	4.0	4.4	4.7	4.9	5.1	5.5	5.7	6.2	6.6	6.7	7.0	7.1	7.5	7.8	8.5	9.1	
30		2.4	2.6	3.0	3.2	3.5	3.8	3.9	4.1	4.4	4.6	4.9	5.3	5.4	5.6	5.7	6.0	6.2	6.8	7.3	
36		2.0	2.1	2.5	2.7	2.9	3.2	3.3	3.4	3.7	3.8	4.1	4.4	4.5	4.6	4.7	5.0	5.2	5.6	6.1	
40		1.8	1.9	2.3	2.4	2.6	2.8	3.0	3.1	3.3	3.4	3.7	3.9	4.0	4.2	4.2	4.5	4.7	5.1	5.5	
48		1.5	1.6	1.9	2.0	2.2	2.4	2.5	2.6	2.8	2.9	3.1	3.3	3.4	3.5	3.5	3.7	3.9	4.2	4.6	
60		1.2	1.3	1.5	1.6	1.7	1.9	2.0	2.1	2.2	2.3	2.5	2.6	2.7	2.8	2.8	3.0	3.1	3.4	3.6	
72		1.0	1.1	1.3	1.3	1.5	1.6	1.6	1.7	1.8	1.9	2.1	2.2	2.2	2.3	2.4	2.5	2.6	2.8	3.0	
90		0.79	0.86	1.00	1.07	1.16	1.27	1.31	1.37	1.47	1.53	1.64	1.75	1.79	1.86	1.89	2.00	2.08	2.25	2.43	
120		0.60	0.64	0.75	0.81	0.87	0.95	0.99	1.03	1.10	1.15	1.23	1.31	1.34	1.39	1.42	1.50	1.56	1.69	1.82	

TRANSMISSION

7" x 7" 3pt Mounted & Stacking Toolbar Frame

**SINGLE ROW
 DENSITIES – SEED POPULATION CHART**

AVERAGE

**SEED
 SPACING**

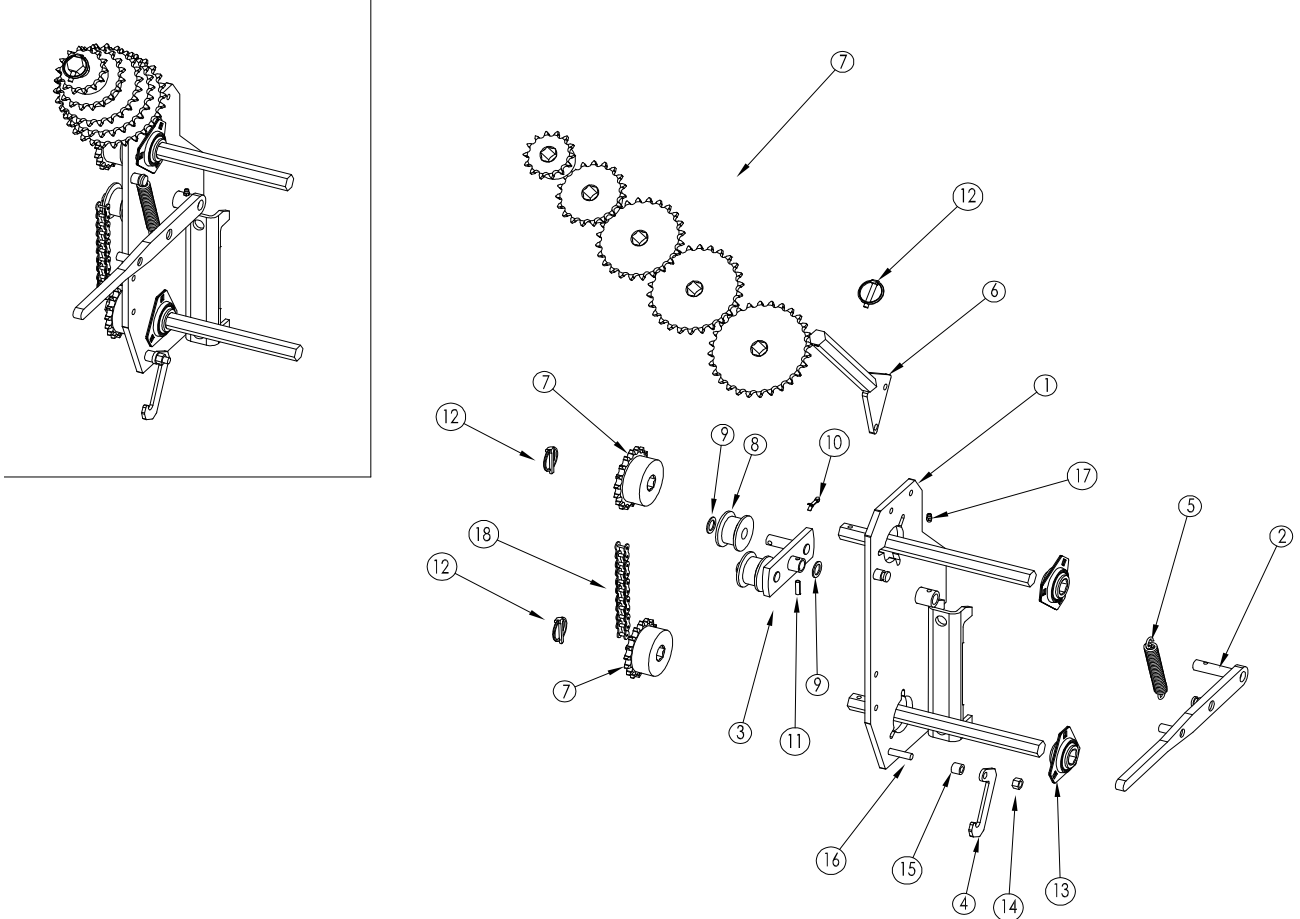
ROW SPACING

	10"	22"	26"	30"	34"	36"	38"	40"
1"	627,600	285,200	241,200	209,200	184,400	174,400	165,000	156,800
2"	313,800	142,600	120,600	104,600	92,200	87,200	82,500	78,400
2 3/4"	228,000	103,600	87,800	76,000	67,000	63,400	60,000	57,000
3 1/4"	193,200	87,800	74,200	64,400	56,800	53,600	50,800	48,200
3 1/2"	180,300	81,900	69,300	60,100	53,000	50,000	47,400	45,000
3 3/4"	167,400	76,034	64,300	55,800	49,200	46,500	44,000	41,800
4"	156,900	71,300	60,300	52,300	46,100	43,600	41,250	39,200
4 1/4"	147,600	67,000	56,800	49,200	43,400	41,000	38,800	36,900
4 1/2"	139,500	63,400	53,600	46,500	41,000	38,700	36,700	34,850
5"	125,400	57,000	48,250	41,800	36,900	34,850	33,000	31,400
5 1/2"	114,000	51,800	43,900	38,000	33,500	31,700	30,000	28,500
6"	104,550	47,500	40,200	34,850	30,750	29,000	27,500	26,100
6 1/2"	96,600	43,900	37,100	32,200	28,400	26,800	25,400	24,100
7"	90,150	40,950	34,650	30,050	26,500	25,000	23,700	22,500
7 1/2"	83,700	38,000	32,200	27,900	24,600	23,200	22,000	20,900
8"	78,750	35,750	30,300	26,250	23,150	21,850	20,700	19,675
8 1/2"	73,800	33,500	28,400	24,600	21,700	20,500	19,400	18,450
9"	69,900	31,750	26,900	23,300	20,550	19,425	18,387	17,475
9 1/2"	66,000	30,000	25,400	22,000	19,400	18,350	17,375	16,500
10"	62,850	28,575	24,200	20,950	18,475	17,475	16,537	15,725
10 1/2"	59,700	27,150	23,000	19,900	17,550	16,600	15,700	14,950
11 1/2"	54,600	24,800	21,000	18,200	16,050	15,150	14,350	13,650
12"	52,275	23,750	20,100	17,425	15,375	14,500	13,750	13,050
13"	48,300	21,950	18,550	16,100	14,200	13,400	12,700	12,050
13 1/2"	46,689	21,213	19,163	15,563	13,725	12,950	12,275	11,650
14 1/2"	43,464	20,475	17,938	14,488	12,775	12,050	11,425	10,850

TRANSMISSION

7" x 7" 3pt Mounted and Stacking Toolbar Frame

SINGLE PLATE TRANSMISSION ASSEMBLY



PARTS

ITEM	PART No.	DESCRIPTION
1	E6001.1L	Plate L.H. (shown)
	E6001.1R	Plate R.H.
2	800238	Handle
3	4796.A	Idler bracket
4	800237	Hook
5	4334	Spring
6	4793.A	Storage rod for sprockets
7	G50B14	Sprocket, 14 tooth, #50 (std.)
	G50B15	Sprocket, 15 tooth, #50
	G50B17	Sprocket, 17 tooth, #50 (std.)
	G50B18	Sprocket, 18 tooth, #50
	G50B19	Sprocket, 19 tooth, #50 (std.)
	G50B21	Sprocket, 21 tooth, #50
	G50B23	Sprocket, 23 tooth, #50 (std.)
	G50B24	Sprocket, 24 tooth, #50 (std.)
	G50B25	Sprocket, 25 tooth, #50
	G50B26	Sprocket, 26 tooth, #50 (std.)
	G50B27	Sprocket, 27 tooth, #50
	G50B28	Sprocket, 28 tooth, #50 (std.)
	G50B30	Sprocket, 30 tooth, #50

ITEM	PART No.	DESCRIPTION
8	KD0916	Idler roller
9	10622024	Washer M16.5 X 26 X 1
10	10170067	Cotter pin M5 X 40
11	10172090	Roll pin M6 X 25
12	6077	Lynch pin M6
13	4515	Bearing w/flangettes
	4515.1	Bearing only (205KRRB2)
	4515.2	Flangette only (2 req'd)
	CB-1110	Carriage bolt, 5/16-18 X 1"
	W-1410	Washer, 5/16" SAE
	W-1610	Lock washer, 5/16"
	N-1001	5/16 Hex nut
14	N-2101	Nylock nut 3/8"
	W-2210	Washer, 3/8" USS
15	KD2971-10	Bushing
16	H-3130	Hex bolt 3/8-16 X 1 3/4"
17	F60102	Grease zerck 1/8" NPT
18	4795.A	Chain #50 X 72 pitch
E6000		Transmission complete

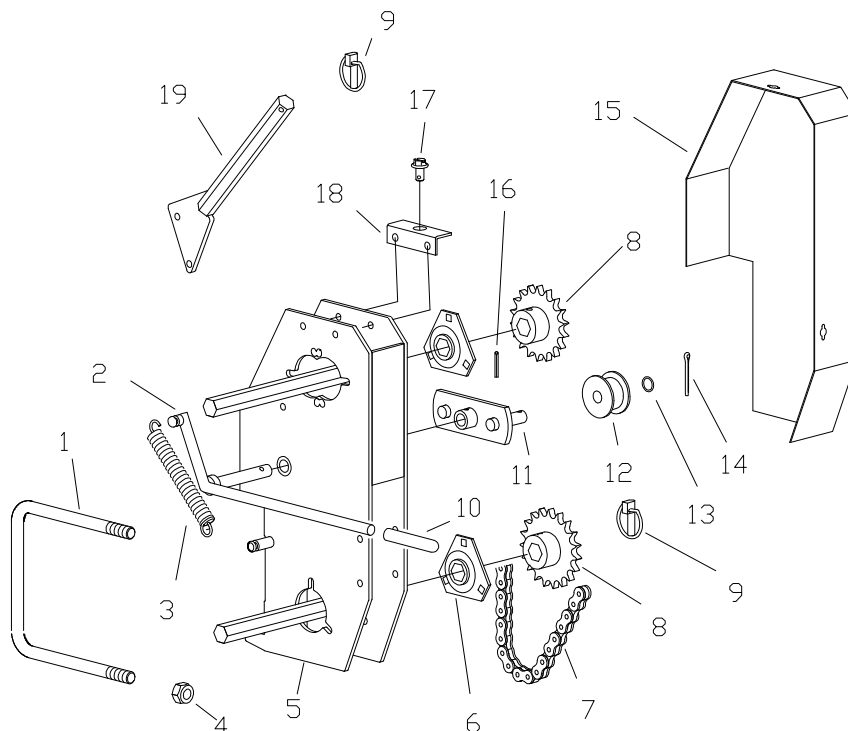
TRANSMISSION

7" x 7" 3pt Mounted

ADJUSTMENT AND ASSEMBLY

Planting population rate changes are made at the end mounted transmission. The planter is designed to allow simple, rapid changes in sprockets to obtain the desired population. By removing the lynch pins (9) on the hexagon shafts, sprockets can be interchanged with those from the sprocket storage rod bolted to the transmission. The planting rate chart on the following page will aid you in selecting the correct sprocket combinations.

NOTE: One transmission is equipped on a 6-row 30"-40" and two transmissions on 8 and 12-row 30"-40". When using two transmissions the unit hex shaft must be split in the center.



PARTS

ITEM	PART No.	DESCRIPTION
1	4502.S	U Bolt, 7 x 7, 5/8-11
2	4798.G	Lever, right side (shown)
	4798.D	Lever, left side
3	9147	Spring
4	F37188	Nylon locknut, 5/8-11
5	4797.B	Gearbox frame
6	4515	Bearing complete with flanges
	4515.1	Bearing only, hex bore (205KRRB2)
	4515.2	Flange
7	4795.A	Drive chain, #50, 72 links w/conn link
8	G50B14	Sprocket, 14 tooth, #50 (standard)
	G50B15	Sprocket, 15 tooth, #50
	G50B17	Sprocket, 17 tooth, #50 (standard)
	G50B18	Sprocket, 18 tooth, #50
	G50B19	Sprocket, 19 tooth, #50 (standard)
	G50B21	Sprocket, 21 tooth, #50
	G50B23	Sprocket, 23 tooth, #50 (standard)
	G50B24	Sprocket, 24 tooth, #50 (standard)

ITEM	PART No.	DESCRIPTION
	G50B25	Sprocket, 25 tooth, #50
	G50B26	Sprocket, 26 tooth, #50 (standard)
	G50B27	Sprocket, 27 tooth, #50
	G50B28	Sprocket, 28 tooth, #50 (standard)
	G50B30	Sprocket, 30 tooth, #50
9	6077	Lynch pin, 6mm
10	4895	Plastic cover for lever
11	4796.A	Idler bracket
12	4772	Idler roller
13	10622026	Washer, 16.5x26x2
14	10170067	Cotter pin, 5 x 40
15	5128.D	Chain guard, right side (shown)
	5128.G	Chain guard, left side
16	10172090	Roll pin, 6 x 25
17	9724.2	Keeper bolt for shield
18	5132	Bracket for guard mounting
19	4793.A	Storage rod for sprockets