

**TABLE OF CONTENTS**

---

1. SAFETY

2. PREPARATION

3. FRAME

**4. TRANSMISSION**

5. DRIVE

6. ROW UNIT

7. OPTIONAL EQUIPMENT

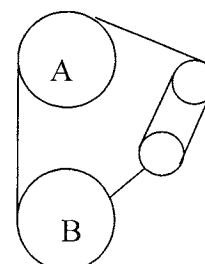
**TRANSMISSION**

**Pull-Type, CenterFlex Frame**

Planting population rate changes are made at the end mounted transmission. The planter is designed to allow simple, rapid changes in sprockets to obtain the desired planting population. By removing the lynch pins on the hexagon shafts, sprockets can be interchanged with those from the sprocket storage rod bolted to the transmission.

Chain tension is controlled by a spring-loaded dual sprocket idler. The idler assembly is adjusted with a ratchet arm. This arm has a release position to remove spring tension for replacing sprockets. The amount of spring tension on the chain can be controlled by the ratchet arm.

The sowing distances chart will aid you in selecting the correct sprocket combinations.



**SOWING DISTANCES**

Number of Holes in the Seed Disc                      Transmission selection                      Seed spacing shown in inches

	Transmission selection															Driver A	
	A	30	28	26	28	26	25	25	27	24	24	19	19	19	17	17	Driven B
	B	17	17	17	23	23	23	24	28	26	27	23	26	28	28	30	
9		8.9	9.6	10.3	13	14	14.7	15.3	16.6	17.3	18	19.4	22	23.7	26.5	28.4	
12		6.7	7.2	7.8	9.8	10.5	11	11.4	12.4	13	13.5	14.6	16.5	17.8	19.9	21.3	
18		4.4	4.8	5.1	6.5	7	7.3	7.7	8.3	8.6	9	9.7	11	11.9	13.2	14.1	
24		3.3	3.6	3.8	4.8	5.2	5.4	5.7	6.2	6.4	6.7	7.2	8.2	8.9	9.9	10.6	
30		2.6	2.8	3.1	3.9	4.2	4.4	4.6	5	5.1	5.3	5.7	6.5	7	7.8	8.3	
36		2.2	2.4	2.6	3.3	3.5	3.7	3.9	4.2	4.3	4.4	4.8	5.5	6	6.6	7	
40		1.9	2.1	2.3	2.9	3.1	3.2	3.4	3.7	3.9	4.1	4.4	5	5.3	6	6.4	
48		1.6	1.7	1.9	2.4	2.6	2.7	2.9	3.1	3.1	3.2	3.5	4	4.4	5	5.3	
60		1.2	1.3	1.4	1.8	2	2.1	2.2	2.4	2.5	2.6	2.9	3.2	3.5	3.9	4.2	
72		1.1	1.2	1.3	1.6	1.7	1.8	1.9	2.1	2.3	2.4	2.6	2.8	3	3.3	3.5	
120		0.6	0.6	0.7	0.9	1	1	1.1	1.2	1.2	1.3	1.4	1.6	1.7	1.9	2	

Seed spacing shown in inches  
Above chart applies only to planters manufactured after 10/01/2003

REVISED 8/16/04

**TRANSMISSION**

**Pull-Type**

Planting distances obtained with standard assembly and sprocket system. Additional settings are possible by using different combinations or special sprockets. Please consult us in case you have such special requirements. Important: Poor alignment of the sprockets of the seed spacing transmission and stiffness of the chain will cause premature side wear on the pinions. Make sure the chains are tight and properly lubricated, and the tires are properly inflated. The above-indicated spacings are theoretical and may vary from 5-10% depending on soil conditions.

**APPROXIMATE PLANTING RATES**

**22" ROW SPACING**

Transmission sprockets	72 Cell Disc SOYBEANS		60 Cell Disc EDIBLE BEANS		48 Cell Disc EDIBLE BEANS		40 Cell Disc BEETS		12 Cell Disc SUNFLOWER	
	Seed spacing	Population per acre	Seed spacing	Population per acre	Seed spacing	Population per acre	Seed spacing	Population per acre	Seed spacing	Population per acre
17 30	3.5	81,500	4.2	67,900	5.3	53,800	6.4	44,500	21.3	13,400
17 28	3.3	86,400	3.9	73,100	5	57,000	6	47,500	19.9	14,300
19 28	3	95,000	3.5	81,500	4.4	64,800	5.3	53,800	17.8	16,000
19 26	2.8	101,800	3.2	89,100	4	71,300	5	57,000	16.5	17,300
19 23	2.6	109,700	2.9	98,300	3.5	81,500	4.4	64,800	14.6	19,500
24 27	2.4	118,800	2.6	109,700	3.2	89,100	4.1	69,500	13.5	21,100
24 26	2.3	123,900	2.5	114,000	3.1	91,900	3.9	73,100	13	21,900
27 28	2.1	135,700	2.4	118,800	3.1	91,900	3.7	77,000	12.4	22,900
25 24	1.9	150,000	2.2	129,600	2.9	98,300	3.4	83,900	11.4	25,000
25 23	1.8	158,500	2.1	135,800	2.7	105,600	3.2	89,100	11	25,900
26 23	1.7	167,700	2	142,500	2.6	109,700	3.1	91,900	10.5	27,100
28 23	1.6	178,200	1.8	158,400	2.4	118,800	2.9	98,300	9.8	29,100
26 17	1.3	219,300	1.4	203,600	1.9	150,000	2.3	123,900	7.8	36,500
28 17	1.2	237,600	1.3	219,300	1.7	168,000	2.1	135,800	7.2	39,600
30 17	1.1	259,200	1.2	237,600	1.6	178,200	1.9	150,000	6.7	42,500

The above rates are theoretical and approximate. The actual output may vary slightly.

Spacing shown in inches.

Above chart applies only to planters manufactured after 10/01/2003

REVISED 8/16/04

**TRANSMISSION**

**Pull-Type**

**APPROXIMATE PLANTING RATES**

**CORN AT 30" ROW SPACING**

Transmission sprockets		30 CELL		24 CELL		18 CELL	
Driver	Driven	Seed spacing	Population per acre	Seed spacing	Population per acre	Seed spacing	Population per acre
17	30	8.2	25,548	10	20,950	13.7	15,400
17	28	7.7	27,207	9.6	21,725	12.8	16,336
17	27	7.3	28,699	9.3	22,529	12.3	16,940
17	26	7.0	29,929	8.9	23,396	11.9	17,592
19	28	6.8	30,809	8.7	24,280	11.5	18,258
17	25	6.7	30,942	8.6	24,332	11.4	18,295
19	27	6.5	32,021	8.3	25,180	11.0	18,934
17	24	6.5	32,231	8.2	25,345	10.9	19,058
19	26	6.3	33,254	8.0	26,148	10.6	19,662
17	23	6.2	33,472	7.9	26,447	10.5	19,887
19	25	6.0	34,418	7.7	27,195	10.2	20,449
19	24	5.8	25,850	7.4	28,326	9.8	21,300
23	28	5.6	37,199	7.1	29,391	9.5	22,101
19	23	5.6	37,410	7.0	29,558	9.4	22,226
23	27	5.4	38,608	6.8	30,480	9.1	22,919
24	28	5.4	38,848	6.8	30,669	9.0	23,062
23	26	5.3	40,049	6.6	31,653	8.8	23,802
24	27	5.2	40,288	6.6	31,806	8.7	23,917
25	28	5.2	40,467	6.5	31,947	8.7	24,023
17	19	5.2	40,553	6.5	32,051	8.7	24,074
23	25	5.0	41,697	6.3	32,919	8.5	24,753
24	26	5.0	41,800	6.3	33,029	8.4	24,836
25	27	5.0	41,929	6.3	33,131	8.4	24,913
26	28	4.9	42,049	6.3	33,226	8.4	24,984
23	24	4.8	43,396	6.1	34,290	8.1	25,784
24	25	4.8	43,471	6.1	34,350	8.1	25,829
25	26	4.8	43,541	6.0	34,405	8.0	25,870

The above rates are theoretical and approximate. The actual output may vary slightly.

**TRANSMISSION**

**Pull-Type**

**APPROXIMATE PLANTING RATES**

**SOYBEANS AT 30" ROW SPACING**

Transmission sprockets		60 CELL		60 CELL with high population sprocket	
Driver	Driven	Seed spacing	Population per acre	Seed spacing	Population per acre
17	30	4.1	51,097	2.9	72,327
17	28	3.8	55,131	2.7	78,037
17	27	3.7	27,173	2.6	80,928
17	26	3.5	59,372	2.5	83,926
19	28	3.4	61,617	2.4	87,154
19	27	3.3	63,899	2.3	90,449
17	24	3.2	64,319	2.2	93,799
17	23	3.1	67,116	2.2	94,416
19	25	3.1	69,011	2.1	98,521
19	24	3.0	71,887	2.1	101,303
23	28	2.9	74,589	2.0	105,524
19	23	2.8	75,012	1.9	109,491
24	28	2.7	77,832	1.9	110,112
24	27	2.6	80,715	1.8	114,252
17	19	2.6	81,246	1.8	118,483
24	26	2.5	83,819	1.8	119,263
26	28	2.5	84,319	1.7	123,040
24	25	2.4	87,172	1.7	123,773
26	27	2.4	87,441	1.6	127,962
23	23	2.4	90,804	1.6	128,357
27	26	2.3	94,296	1.6	133,294
24	23	2.3	94,752	1.5	138,420
25	23	2.2	98,700	1.5	139,089
19	17	2.2	101,487	1.4	144,884
27	24	2.1	102,154	1.4	148,975
28	24	2.0	105,938	1.4	149,955
23	19	2.0	109,920	1.3	155,509
28	23	1.9	110,544	1.3	161,355
24	19	1.8	114,700	1.3	162,270
25	19	1.8	119,479	1.2	168,371
23	17	1.7	122,853	1.2	175,386
26	19	1.7	124,259	1.2	180,338
27	19	1.6	129,037	1.1	182,402
28	19	1.6	133,817	1.1	189,417
26	17	1.5	138,877	1.1	196,433
27	17	1.4	144,219	1.0	203,861
28	17	1.4	149,560	.9	211,702
30	17	1.3	155,600	.9	219,542

\* To achieve a higher than average population, a 23 tooth sprocket can replace the 15 tooth sprocket on the contact drive wheel. Three (3) additional chains are needed on the contact drive wheel when using this combination. The above rates are theoretical and approximate. The actual output may vary.

**TRANSMISSION**

**Single Row**

**DENSITIES- SEED POPULATION CHART**

**AVERAGE  
SEED  
SPACING**

**ROW SPACING**

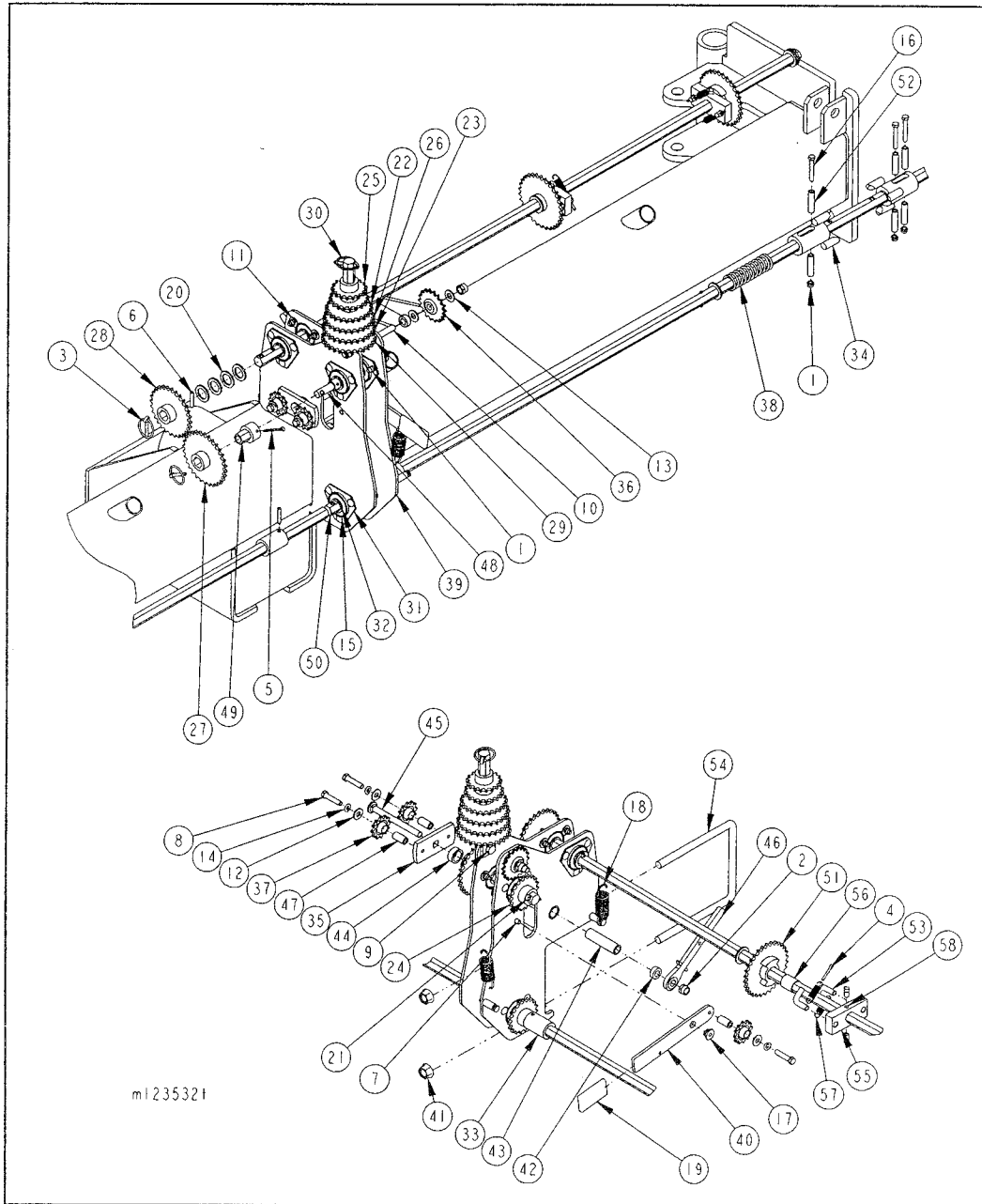
	10"	22"	26"	30"	34"	36"	38"	40"
1"	627,600	285,200	241,200	209,200	184,400	174,400	165,000	156,800
2"	313,800	142,600	120,600	104,600	92,200	87,200	82,500	78,400
2 3/4"	228,000	103,600	87,800	76,000	67,000	63,400	60,000	57,000
3 1/4"	193,200	87,800	74,200	64,400	56,800	53,600	50,800	48,200
3 1/2"	180,300	81,900	69,300	60,100	53,000	50,000	47,400	45,000
3 3/4"	167,400	76,034	64,300	55,800	49,200	46,500	44,000	41,800
4"	156,900	71,300	60,300	52,300	46,100	43,600	41,250	39,200
4 1/4"	147,600	67,000	56,800	49,200	43,400	41,000	38,800	36,900
4 1/2"	139,500	63,400	53,600	46,500	41,000	38,700	36,700	34,850
5"	125,400	57,000	48,250	41,800	36,900	34,850	33,000	31,400
5 1/2"	114,000	51,800	43,900	38,000	33,500	31,700	30,000	28,500
6"	104,550	47,500	40,200	34,850	30,750	29,000	27,500	26,100
6 1/2"	96,600	43,900	37,100	32,200	28,400	26,800	25,400	24,100
7"	90,150	40,950	34,650	30,050	26,500	25,000	23,700	22,500
7 1/2"	83,700	38,000	32,200	27,900	24,600	23,200	22,000	20,900
8"	78,750	35,750	30,300	26,250	23,150	21,850	20,700	19,675
8 1/2"	73,800	33,500	28,400	24,600	21,700	20,500	19,400	18,450
9"	69,900	31,750	26,900	23,300	20,550	19,425	18,387	17,475
9 1/2"	66,000	30,000	25,400	22,000	19,400	18,350	17,375	16,500
10"	62,850	28,575	24,200	20,950	18,475	17,475	16,537	15,725
10 1/2"	59,700	27,150	23,000	19,900	17,550	16,600	15,700	14,950
11 1/2"	54,600	24,800	21,000	18,200	16,050	15,150	14,350	13,650
12"	52,275	23,750	20,100	17,425	15,375	14,500	13,750	13,050
13"	48,300	21,950	18,550	16,100	14,200	13,400	12,700	12,050
13 1/2"	46,689	21,213	19,163	15,563	13,725	12,950	12,275	11,650
14 1/2"	43,464	20,475	17,938	14,488	12,775	12,050	11,425	10,850

Rev 8-07

**TRANSMISSION**

**8-Row 30" Pull Type**

**ASSEMBLY 8-Row 30**



ITEM	PART NO.	DESCRIPTION
1	F37211	REV LOCK NUT, 5/16-18
2	F37214	REV LOCK NUT, 1/2-13
3	6077	LYNCHPIN, 1/4 X 1-1/4
4	F65123	COTTER PIN, 3/16 X 1
5	F65128	COTTER PIN, 3/16 X 2-1/4
6	F64251	ROLL PIN, 1/4 X 1-1/2
7	F15103	SCREW, HEX HEAD CAP, 3/8-16 X 3/4 GR5
8	F13110	SCREW, HEX HEAD CAP, 3/8-16 X 1-3/4 GR5

**TRANSMISSION**

**8-Row 30" Pull Type**

**ASSEMBLY**

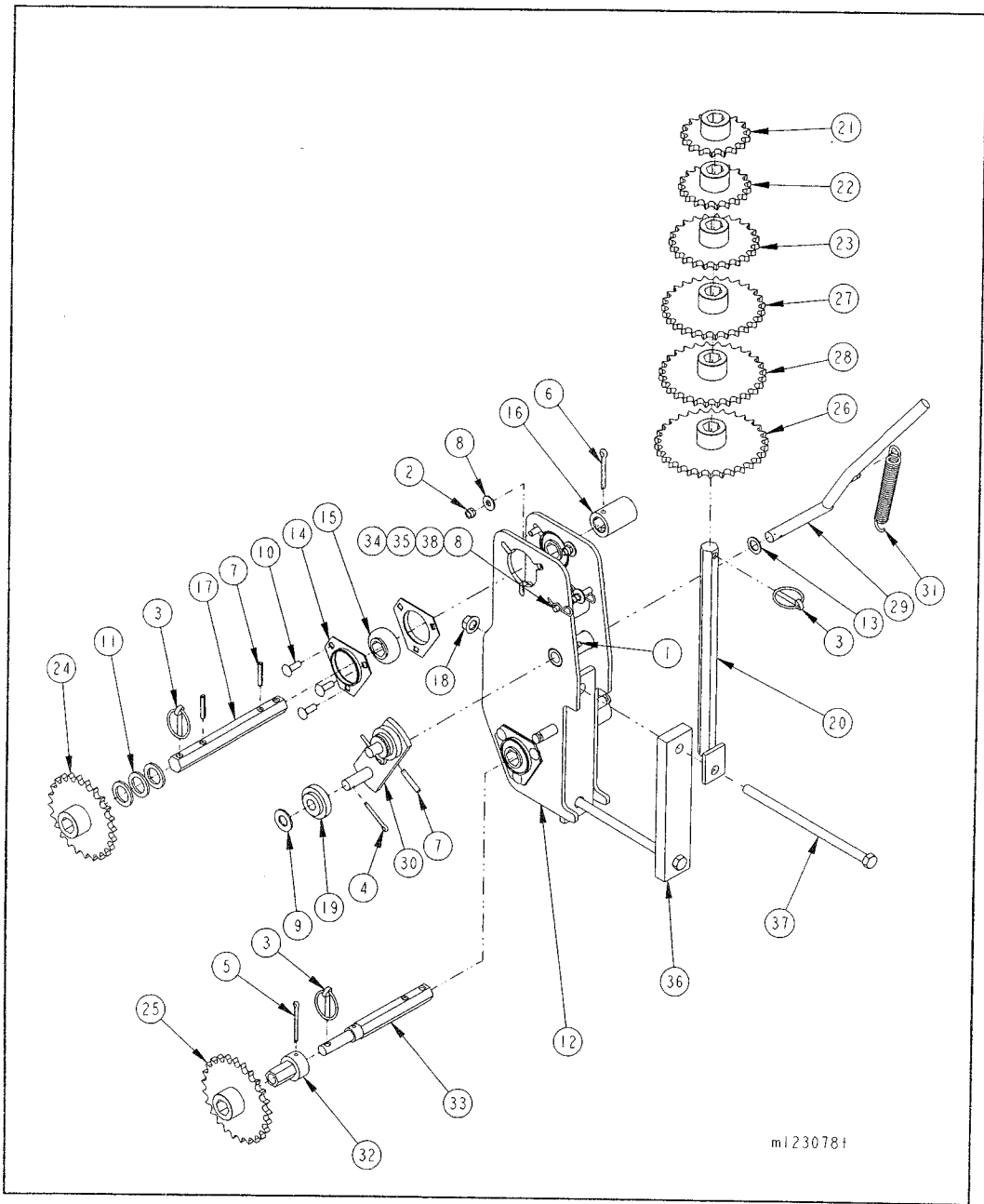
ITEM	PART NO.	DESCRIPTION
9	F13207	SCREW, HEX HEAD CAP, 1/2-13 X 1-1/4 GR5
10	F13213	SCREW, HEX HEAD CAP, 1/2-13 X 2-1/2 GR5
11	F33080	WASHER, FLAT, 5/16 SAE
12	F33008	WASHER, FLAT, 3/8 USS
13	F33086	WASHER, FLAT, 1/2 SAE
14	F33622	WASHER, SPLIT LOCK, 3/8
15	F21811	CARRIAGE BOLT, 5/16-18 X 1 GR5
17	L117271	NUT WITH PIVOT SHOULDER, 3/8-16
18	KD5857	SPRING, CHAIN TIGHTENER
19	KD5827	HANDLE GRIP, RED PLASTIC
20	K10233	MACHINE BUSHING, 1 ID X 1-1/2 OD X 1/8 THICK
21	F65144	COTTER PIN, 1/4 X 1-1/4
22		SPROCKET, #40, HEX BORE, 23T
23		SPROCKET, #40, HEX BORE, 26T
24		SPROCKET, #40, HEX BORE, 19T
25		SPROCKET, #40, HEX BORE, 17T
26		SPROCKET, #40, HEX BORE, 25T
27		SPROCKET, #40, HEX BORE, 30T
28		SPROCKET, #40, HEX BORE, 28T
29		SPROCKET, #40, HEX BORE, 27T
30	L122844	SPROCKET STORAGE WELDMENT
31	4515.2	BEARING FLANGETTE, 3 BOLT HOLE
32	4515.1	BEARING ONLY, HEX BORE, SELF ALIGNING
33	KD2373	COUPLER, 7/8 HEX BORE, 1-1/2" LONG W/1/4 HOLE
	KD2374	COUPLER, 7/8 HEX BORE, 3-1/4" LONG
38	KD2961	SPRING, COMPRESSION, 4-1/2"
39	L123345	TRANSMISSION WELDMENT
40	L123348	HANDLE, CHAIN TIGHTENER
41	F37349	HEX FLANGE NUT, SERRATED, 5/8-11
42	L125701	BUSHING, 9/16 ID X 1 OD X 3/8 WIDE
43	L125702	BUSHING, 5/8 ID X 7/8 OD X 3-3/8 LONG
44	L125703	BUSHING, 7/8 ID X 1-1/4 OD X 1/2 WIDE
45	L125704	CARRIAGE BOLT, 1/2-13 X 5-1/2, MACHINED HEAD
46	L125705	RATCHETING WRENCH, CAN SUB #KA4235
47	KD1026	BUSHING, IDLER SPROCKET, 3/8 ID X 1-3/16 LONG
37	L125711	SPROCKET STORAGE WELDMENT
47	L125782	SPROCKET WELDMENT, CLUTCH, #40, 30T
48	L125775	HEX SHAFT, 7/8, MACHINED TO ACCEPT SHEAR COUPLER
49	L125776	SHEAR COUPLER
50		7/8 HEX SHAFT
51	L125782	SPROCKET WELDMENT, CLUTCH, #40, 30T
52	F64251	Spring pin 1/4" x 1-1/2"
53	L70579768	L-PIN, CLUTCH
54	4502.S	U BOLT, 5/8-11, 7 X 7
55	L71502624	CLUTCH BLOCK W/HEX BORE
56	L71502909	SELF LUBRICATED BUSHING, HEX BORE, SPROCKET
57	L71506635	SPRING, L-PIN
58		SET SCREW, SQ. HEAD, 3/8-16 X 5/8



## TRANSMISSION

### 8-Row 38", 12-Row, and 16-Row Pull Type

#### ASSEMBLY 8-Row 38, 12-Row, 16-Row



**TRANSMISSION**

**8-Row 38", 12-Row, and 16-Row Pull Type**

**ASSEMBLY 8-Row 38, 12-Row, 16-Row**

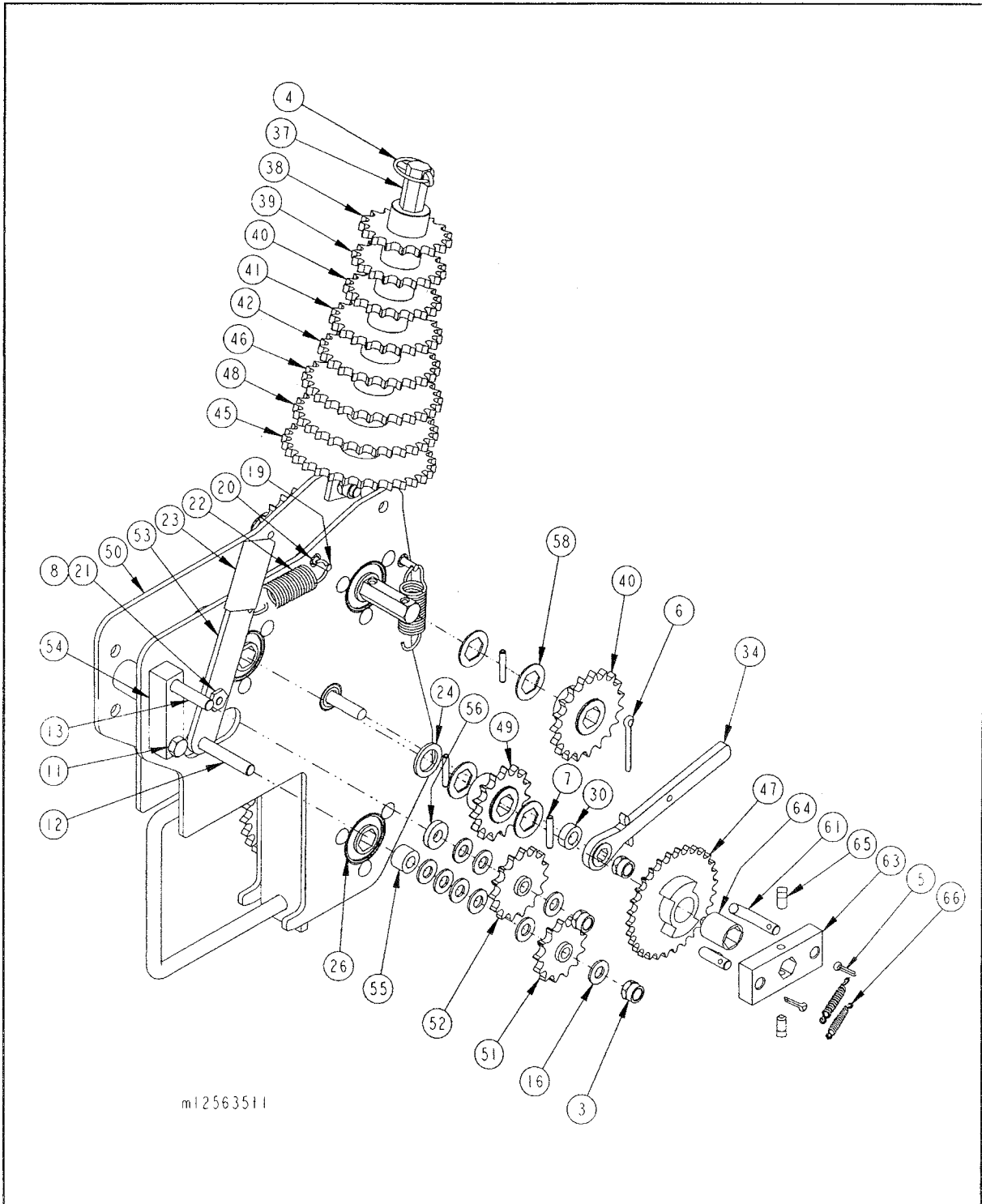
ITEM	PART NO.	DESCRIPTION
1	F58805	GREASE FITTING, 1/4-28
2	F37211	REV LOCK NUT, 5/16-18
3	6077	LYNCHPIN, 1/4 X 1-1/4
4	F65125	COTTER PIN, 3/16 X 1-1/2
5	F65128	COTTER PIN, 3/16 X 2-1/4
6	F65147	COTTER PIN, 1/4 X 2
7	F64251	ROLL PIN, 1/4 X 1-1/2
8	F33006	WASHER, FLAT, 5/16 USS
9	F33090	WASHER, FLAT, 5/8 SAE
10	F21811	CARRIAGE BOLT, 5/16-18 X 1 GR5
11	K10233	MACHINE BUSHING, 1 ID X 1-1/2 OD X 1/8 THICK
12	L117974	TRANSMISSION WELDMENT
13	L118657	MACHINE BUSHING, 5/8 ID X 1 OD
14	4515.2	BEARING FLANGETTE, 3 BOLT HOLE
15	4515.1	BEARING ONLY, HEX BORE, SELF ALIGNING
16	KD5961	COUPLER, 7/8 HEX BORE, 2-1/4 LONG W/1/4 HOLE
17	L122865	HEX SHAFT, 7/8 X 8-1/2, 4 - 1/4" HOLES
18	F37345	HEX FLANGE NUT, SERRATED, 1/2-13
19	L125706	IDLER, #50 CHAIN, CAN SUB #4319
20	L125711	SPROCKET STORAGE WELDMENT
21	G50B17	SPROCKET, #50, HEX BORE, 17T
22	G50B19	SPROCKET, #50, HEX BORE, 19T
23	G50B23	SPROCKET, #50, HEX BORE, 23T
24	G50B24	SPROCKET, #50, HEX BORE, 24T
25	G50B25	SPROCKET, #50, HEX BORE, 25T
26	G50B30	SPROCKET, #50, HEX BORE, 30T
27	G50B27	SPROCKET, #50, HEX BORE, 27T
28	G50B28	SPROCKET, #50, HEX BORE, 28T
ABOVE SPROCKETS ARE STANDARD, OTHER SPROCKETS AVAILABLE:		
	G50B14	SPROCKET, #50, HEX BORE, 14T
	G50B15	SPROCKET, #50, HEX BORE, 15T
	G50B18	SPROCKET, #50, HEX BORE, 18T
	G50B21	SPROCKET, #50, HEX BORE, 21T
	G50B26	SPROCKET, #50, HEX BORE, 26T
29	L125793	HANDLE WELDMENT, CHAIN TIGHTENER
30	L125934	IDLER WELDMENT, CHAIN TIGHTENER
31	L125935	SPRING, CHAIN TIGHTENER
32	L125948	SHEAR COUPLER
33	L125949	HEX SHAFT, 7/8, MACHINED TO ACCEPT SHEAR COUPLER
34	L125953	LOCK PIN, CHAIN TIGHTENER
35	5681.B	SPRING
36	L126354	PLATE
37	F13232	SCREW, HEX HEAD CAP, 1/2-13 X 9-1/2 GR5
38	7091	SPRING CLIP PIN

TRANSMISSION CHAIN, #50, 72 LINKS W/CONN.LINK

**TRANSMISSION**

**24-Row Pull Type**

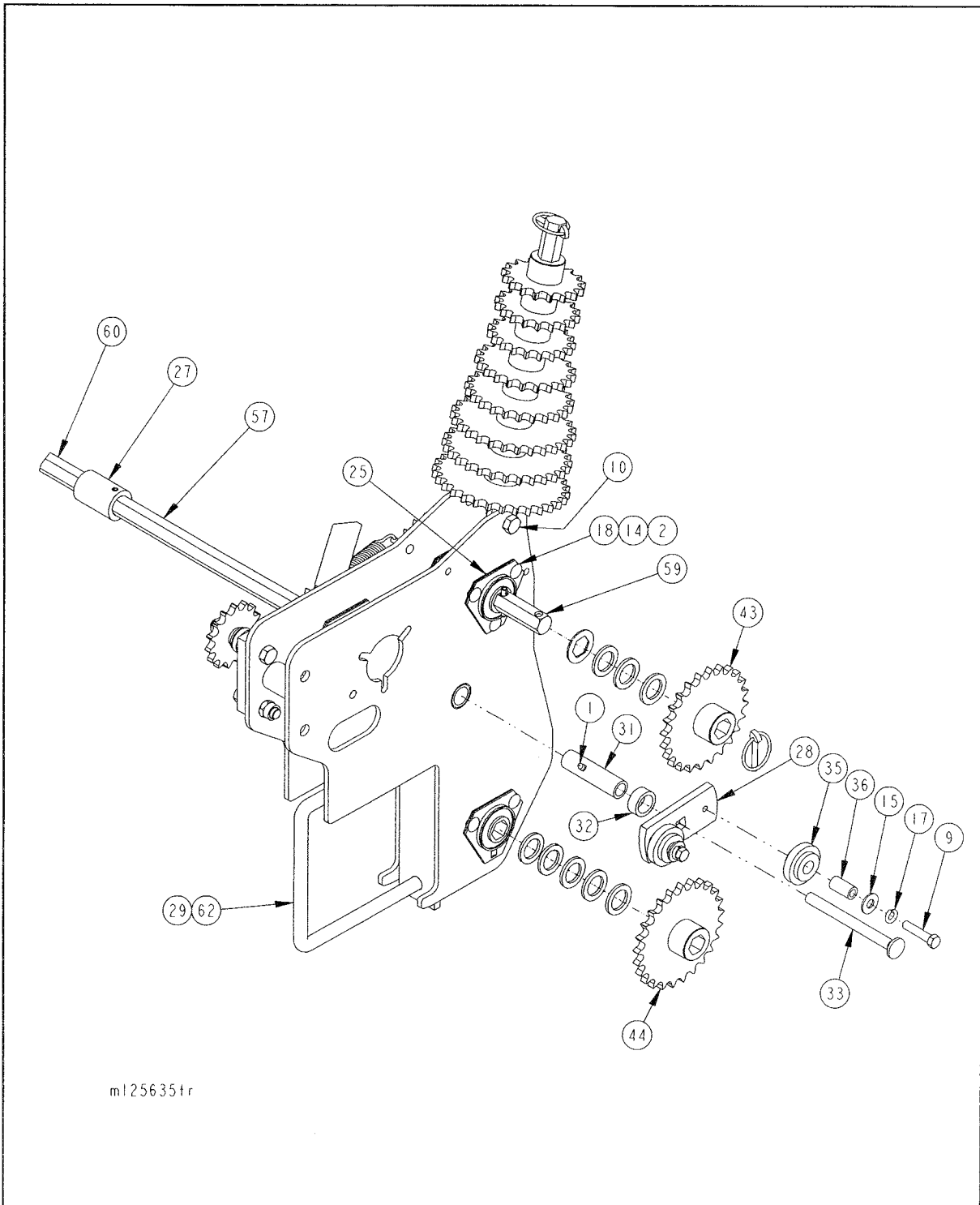
**ASSEMBLY 24-Row**



**TRANSMISSION**

**24-Row Pull Type**

**ASSEMBLY**



**TRANSMISSION**

**24-Row Pull Type**

**ASSEMBLY**

ITEM	PART NO.	DESCRIPTION
1	F58805	GREASE FITTING, 1/4-28
2	F37211	REV LOCK NUT, 5/16-18
3	F37214	REV LOCK NUT, 1/2-13
4	6077	LYNCHPIN, 1/4 X 1-1/4
5	F65123	COTTER PIN, 3/16 X 1
6	F65147	COTTER PIN, 1/4 X 2
7	F64251	ROLL PIN, 1/4 X 1-1/2
8	F13105	SCREW, HEX HEAD CAP, 3/8-16 X 1 GR5
9	F13110	SCREW, HEX HEAD CAP, 3/8-16 X 1-3/4 GR5
10	F13207	SCREW, HEX HEAD CAP, 1/2-13 X 1-1/4 GR5
11	F13211	SCREW, HEX HEAD CAP, 1/2-13 X 2 GR5
12	F13215	SCREW, HEX HEAD CAP, 1/2-13 X 3 GR5
13	F13216	SCREW, HEX HEAD CAP, 1/2-13 X 3-1/4 GR5
14	F33080	WASHER, FLAT, 5/16 SAE
15	F33008	WASHER, FLAT, 3/8 USS
16	F33086	WASHER, FLAT, 1/2 SAE
17	F33622	WASHER, SPLIT LOCK, 3/8
18	F21811	CARRIAGE BOLT, 5/16-18 X 1 GR5
19	L116249	PIN, CLEVIS, 5/16 X 1
20	L116336	RETAINING RING, 5/16
21	L117271	NUT WITH PIVOT SHOULDER, 3/8-16
22	KD5857	SPRING, CHAIN TIGHTENER
23	KD5827	HANDLE GRIP, RED PLASTIC
24	K10233	MACHINE BUSHING, 1 ID X 1-1/2 OD X 1/8 THICK
25	4515.2	BEARING FLANGETTE, 3 BOLT HOLE
26	4515.1	BEARING ONLY, HEX BORE, SELF ALIGNING
27	KD5961	COUPLER, 7/8 HEX BORE, 2-1/4 LONG W/1/4 HOLE
28	L122870	IDLER BAR, FOR BOLT ON IDLERS
29	F37349	HEX FLANGE NUT, SERRATED, 5/8-11
30	L125701	BUSHING, 9/16 ID X 1 OD X 3/8 WIDE
31	L125702	BUSHING, 5/8 ID X 7/8 OD X 3-3/8 LONG
32	L125703	BUSHING, 7/8 ID X 1-1/4 OD X 1/2 WIDE
33	L125704	CARRIAGE BOLT, 1/2-13 X 5-1/2, MACHINED HEAD
34	L125705	RATCHETING WRENCH, CAN SUB #KA4235
35	L125706	IDLER, #50 CHAIN, CAN SUB #4319
36	KD1026	BUSHING, IDLER SPROCKET, 3/8 ID X 1-3/16 LONG
37	L125711	SPROCKET STORAGE WELDMENT
38	G50B17	SPROCKET, #50, HEX BORE, 17T
39	G50B18	SPROCKET, #50, HEX BORE, 18T
40	G50B19	SPROCKET, #50, HEX BORE, 19T

**TRANSMISSION**

---

**24-Row Pull Type**

**ASSEMBLY**

<b>ITEM</b>	<b>PART NO.</b>	<b>DESCRIPTION</b>
41	G50B21	SPROCKET, #50, HEX BORE, 21T
42	G50B23	SPROCKET, #50, HEX BORE, 23T
43	G50B24	SPROCKET, #50, HEX BORE, 24T
44	G50B25	SPROCKET, #50, HEX BORE, 25T
45	G50B30	SPROCKET, #50, HEX BORE, 30T
46	G50B27	SPROCKET, #50, HEX BORE, 27T
47	L125782	SPROCKET WELDMENT, CLUTCH, #40, 30T
48	G50B28	SPROCKET, #50, HEX BORE, 28T
49	G50B15	SPROCKET, #50, HEX BORE, 15T
50	L125788	TRANSMISSION WELDMENT
51	G5013E	IDLER SPROCKET W/BEARING, 13T, #50
52	G5015E	IDLER SPROCKET W/BEARING, 15T, #50
53	L125797	HANDLE
54	L125798	SPACER BLOCK, 2 HOLE
55	L125799	SPACER, 1 OD X 1/2 ID X 1-5/8 WIDE
56	L125930	SPACER, 1-3/16 OD X 1/2 ID X 1/4 WIDE
57	L125936	SHAFT, 7/8 HEX, 16" LONG
58	10629031	HEX WASHER, 26 X 41 X 2
59	L125939	SHAFT, 7/8 HEX, 9" LONG
60	L125944	SHAFT, 7/8 HEX, 55" LONG
61	L70579768	L-PIN, CLUTCH
62	4502.S	U BOLT, 5/8-11, 7 X 7
63	L71502624	CLUTCH BLOCK W/HEX BORE
64	L71502909	SELF LUBRICATED BUSHING, HEX BORE, SPROCKET
65		SET SCREW, SQ. HEAD, 3/8-16 X 5/8
66	L71506635	SPRING, L-PIN

TRANSMISSION CHAIN, #50, 72 LINKS W/CONN.LINK  
 REVERSER CHAIN, #50, 76 LINKS W/CONN. LINK  
 SLIP CLUTCH/CONTACT DRIVE CHAIN, #40, 132 LINKS W/CONN. LINK