

This is a downloadable version of the manual. A partial download may not contain all pertinent information. Make Sure to read Chapter 1, Safety!
Due to ongoing upgrades specifications may change without notice, contact a Monosem Rep for current information.

TABLE OF CONTENTS

1. SAFETY

2. PREPARATION

3. FRAME

4. TRANSMISSION

5. DRIVE

6. ROW UNIT

7. OPTIONAL EQUIPMENT

This is a downloadable version of the manual. A partial download may not contain all pertinent information. Make Sure to read Chapter 1, Safety!
Due to ongoing upgrades specifications may change without notice, contact a Monosem Rep for current information.

FRAME

Pull-Type Narrow Transport Frame

The Monosem Narrow Transport Series features a 3 section forward fold toolbar with telescoping tongue for narrow transport. A hydraulic control box controls the folding and unfolding.

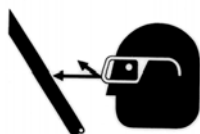
Your planter comes standard with two 3/4" hydraulic lines and two 1/2" hydraulic lines on the hitch. The 3/4" lines connect into outlet #1 to run the manifold on the back of the toolbar. The 1/2" lines connect into outlet #2 to run the front hitch to lock and unlock hitch and draft tubes.

 **HYDRAULIC SYSTEM SAFETY DANGER**

- **Relieve pressure on system before repairing, adjusting or disconnecting.**
- **Before applying pressure to hydraulic system, check that all connections are tight and that the hoses and fittings have not been damaged. Hydraulic fluid escaping under pressure can penetrate the skin causing serious injury. If injured by escaping hydraulic fluid see a doctor at once. Gangrene can result.**



- **Wear proper hand and eye protection when searching for leaks. Use wood or cardboard instead of hands.**



GREASE FITTINGS


Those parts equipped with grease fittings should be lubricated daily with SAE multipurpose type grease. Be sure to clean the fitting thoroughly before using a grease gun.

- The Row Markers have:
 four greasers at the cylinder
 On each wheel block
 On the marker hinge point
 On each wing flex
 On each side of the hinge
 Two on each back wing

- The hitch has four greasers:
 On the top of the hitch
 On each wheel hub
 At the bottom
 Two inside the tongue on the roller
 Two in back

TRANSPORTING

Put safety pin in hitch and make sure safety chain is hooked to tractor. Wheel chucks go on the outside wheel blocks of center section for transport. The chucks are stored at back of the toolbar.

-  **CAUTION** Use necessary safety precautions, such as turning on safety lights and devices. Always drive at a safe speed

STORAGE

For long term storage, set frame down and block front hitch.

Maintenance

Make sure all wheel chucks are in four cylinder wheel blocks before working on machine

Temporary Free Set

To unhook frame take orange strap use clevis to hook strap to road hook, go under tongue to other road hook, then untuck wheels and lift hitch up and down to remove pin. This is preferred *ONLY* for short term.

FRAME

Pull-Type Narrow Transport Frame

Dickey-John Intelli-Ag.



! DANGER - Pinch points & crush points exist on mechanism. Stay away and keep others away from frame sections when folding and unfolding.

UNFOLDING a Monosem Narrow Transport frame outfitted with Dickey-John Intelli-Ag.

Connect Hydraulic Hoses to remote ports for remote #1 and #2

To remote #1 connect hoses marked with Blue markers labeled “Lift/Fold”

To remote #2 connect hoses marked with Green markers labeled “Marker/Hitch”

Connect the planter ISO connector to tractor ISO connection or install Dickey-John terminal and harness in the tractor cab and connect planter ISO connection.

Install Dickey-John Monosem Frame Fold Module and turn all switches to the off position. (John Deere green star systems require the use of additional harnessing – Monosem PN: INT1020)

Start Tractor and make sure tractor is in neutral with all brakes released. **Ensure that all the LED indicators above the switches on the frame fold module are off.**

On switch module turn on “**Master**” switch
Turn on “**Field**” switch.
Lift machine using remote #1.

Turn off “**Field**” switch,
Turn on “**Tuck/Hitch**” switch.
Use remote #2 to raise tongue until cylinder is fully extended.

Remove hitch safety pin located on tongue, also remove main lift stops from rear of machine.

Using remote #1 lower the wing wheels to the ground. Do not stop until the wheel cylinders are fully extended.

Turn off “**Tuck/Hitch**” switch.

If equipped with a fold latch, turn on “**Fold Latch**” switch.
Use Remote #1 to release the fold latch. Do not stop until cylinder is fully extended.

Turn off “**Fold Latch**” switch.

FRAME

Pull-Type Narrow Transport Frame

Turn on “**Fold/Hitch**” switch.
Use remote #2 to lower the hitch just below the fold hooks on the end of the wings. Use remote #1 to unfold the toolbar. If the planter does not pull the tractor backwards during this process the operator will need to put the tractor in reverse and help it back.

Turn off the “**Fold/Hitch**” switch.

Turn on the “**Draft Tube Lock**” switch.
Use remote #2 to lower the draft tube lock pins.

Turn off the “**Draft Tube Lock**” switch.

Turn on the “**Hitch**” switch.
Use remote #2 to lower the planter tongue until cylinder is fully collapsed and the telescopic lock is fully engaged.

Turn off the “**Hitch**” switch.

Turn on the “**Field**” switch.
Use remote #1 to raise and lower the machine.
Use remote #2 to operate the row markers if planter is equipped.

Note: Fully lower the machine and hold the hydraulic lever in the down position to rephrase lift cylinders.

FOLDING a Monosem Narrow Transport frame outfitted with Dickey-John Intelli-Ag.

Raise the planter to full height

Place the tractor in neutral

Turn off the “**Field**” switch

Turn on the “**Hitch**” switch.
Use remote #2 to raise the planter tongue until cylinder is close to fully extended.

Turn off the “**Hitch**” switch.

Turn on the “**Draft Tube Lock**” switch.
Use remote #2 to raise the draft tube lock pins.

Turn off the “**Draft Tube Lock**” switch.

Turn on “**Fold/Hitch**” switch.
Use remote #1 to fold the toolbar.
If the planter does not push the tractor forwards during this process the operator will need to put the tractor in a low forward gear and help it forward.
Use remote #2 to raise the hitch to just below the fold hooks on the end of the wings.

Turn off the “**Fold/Hitch**” switch.

If equipped with a fold latch,
turn on “**Fold Latch**” switch.
Use Remote #1 to engage the fold latch.

Turn off “**Fold Latch**” switch.

Turn on “**Tuck/Hitch**” switch.
Use remote #2 to lift planter tongue, don't stop until hitch cylinder is fully extended. Then using remote #1 raise the wing wheels off of the ground. Stop when the tires are firmly against the bottom of the planter tongue.

Note: There is a built in bypass that will prevent tires from pressing too hard against the bottom of the tongue.

Turn off “**Tuck/Hitch**” switch.

Turn off “**Master**” switch

Install hitch safety pin and main lift stops.

Note: Once tractor has be shut off and restarted the “Master” switch may have to be cycled to regain hydraulic control.

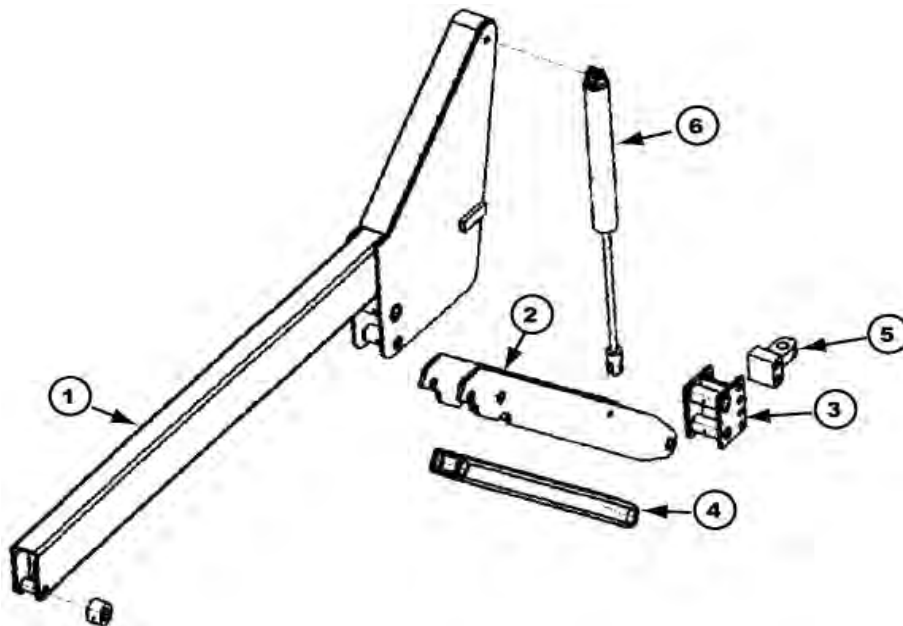
FRAME

Pull-Type Narrow Transport Planter

ASSEMBLY

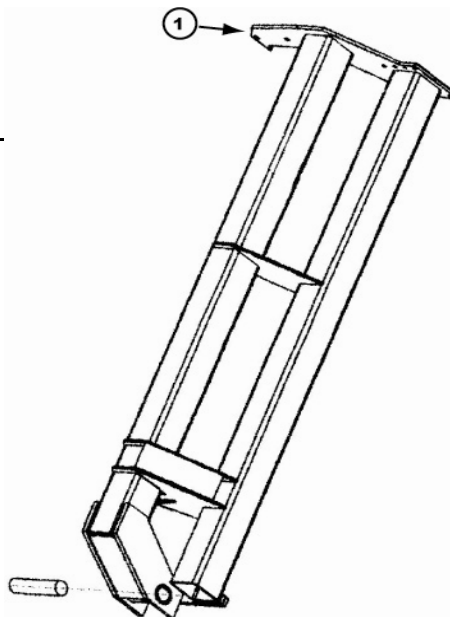
FRONT HITCH

ITEM	PART #	DESCRIPTION
1	40-107000	Front Hitch BOM
2	40-107002	Front Hitch Top Link
3	40-107003	Front Hitch Slide Bracket
4	40-107009	Front Hitch Parallel Link
5	40-301V3	Hitch
6		4 x 24 cylinder



FRONT WING

ITEM	PART #	DESCRIPTION
	40-104000	Right Front Wing
	40-105000	Left Front Wing
1	40-100003	Road Hook



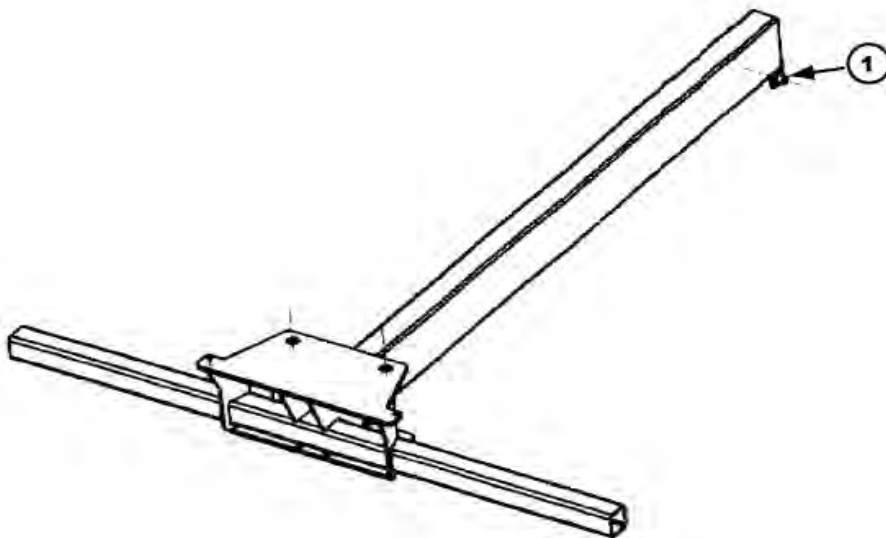
FRAME

Pull-Type Narrow Transport Planter

ASSEMBLY

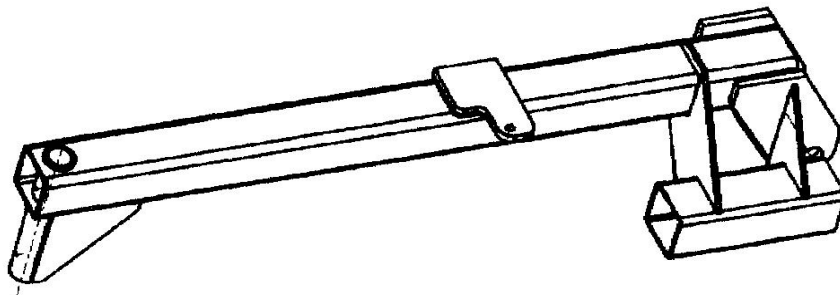
BACK FRAME

<u>ITEM</u>	<u>PART #</u>	<u>DESCRIPTION</u>
	40-101000	Back Frame
	40-100003	Road Hook
1	40-MISW	Safety Latch



BACK WING

<u>ITEM</u>	<u>PART #</u>	<u>DESCRIPTION</u>
1	40-102000	Right Back Wing
2	40-103000	Left Back Wing



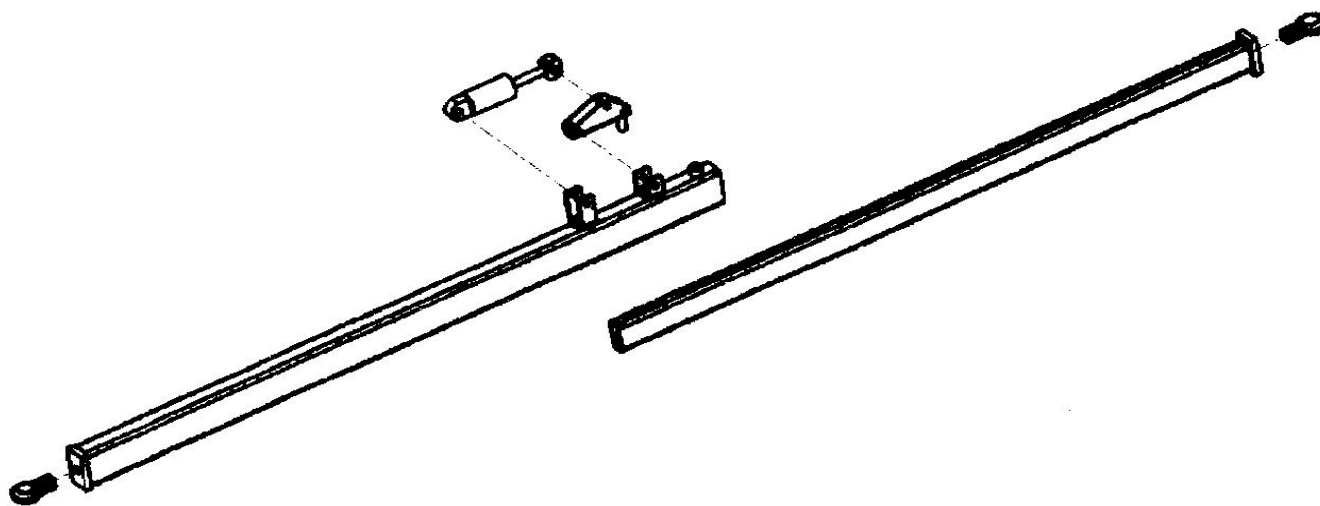
FRAME

Pull-Type Narrow Transport Planter

ASSEMBLY

DRAFT

ITEM	PART #	DESCRIPTION
1	40-108000	Telescoping Draft Link
2	40-108003	Outer Draft Link Tubes
	40-108004	Inner Draft Link Tubes
	E1759-3RH	Forged Replacement Ends (1 1/4" pin 1 3/8 thread)
	F150040CSS	1.5 x 4 cylinder
	344836	1-1/4 x 5 Grn Dspring Draft Tube Latch



WHEEL BLOCK

PART #	DESCRIPTION
106030	Top Clamp
106035	Bolt Kit
106040	Top Half Wheel Block
106045	Bottom Wheel Block 14L x 16.1
106050	Bottom Wheel Block 16.5 x 16.1
106060	1 3/4" shaft Axle
106000	Complete Wheel Block 14 x 16.1
106000-L	Complete Wheel Block 16.5 x 16.1
14L x 16.1	14L x 16.1 Tire
16.5 x 16.1	16.5 x 16.1 Tire

